



ABSTRACT
SPRING

BROCHURE
2018

ABOUT US

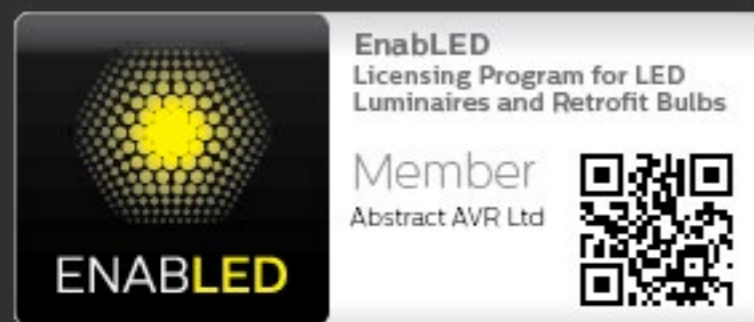
Established in 1990, Abstract AVR are recognised internationally as a leading British Architectural, Entertainment and Bespoke LED lighting manufacturer, with over 25 years experience.



With a sterling reputation for over 15 years, our LED product range has stood the test of time and is a range that you can be sure to put your name to.

If you are interested in finding out more about our OEM services, we can develop your product with you from concept to reality right here in the UK.

Abstract AVR are official EnabLED licensees, operating compliantly and responsibly under Philips' EnabLED Licensing Program for LED Luminaires and Retrofit Bulbs.



INDEX

CC LED DOWNLIGHTS	4
CC LED INGROUNDS	14
CC LED LIGHT BARS	28
CC LED WASH LIGHTS	34
CC LED DMX DRIVERS	44
CV LED FLEXIBLE STRIP	48
CV LED DMX DRIVERS	60
PIXEL LED	70
PIXEL DRIVERS	82
DMX CONTROLLERS	84
ACCESSORIES	86
USEFUL CONTACTS	94

LED DOWNLIGHTS

Professional architectural downlights, for when quality and reliability is a must. Beautifully designed with both performance and longevity in mind, this is a downlight range which brings both excitement and peace of mind.



CS16 DOWNLIGHT

Lense Options:
15°/25°/40°

RGBW/RGBA/TW



CS4 DOWNLIGHT

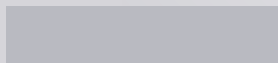
Lense Options:
15°/25°/40°

RGBW/RGBA/TW





AVAILABLE COLOURS



ANODISED ALUMINIUM

COLOUR SOURCE 4 CC LED DOWNLIGHT

The Colour Source 4 sets the bar for lighting excellence, with a high performance mix-at-source multi-chip LED housed in a precision engineered anodised aluminium housing.

The lighting professionals' downlight of choice.

Product Code: CS4-DL- RGBW / RGBA / TW

Compatible With : LUD 48 , LUD 192

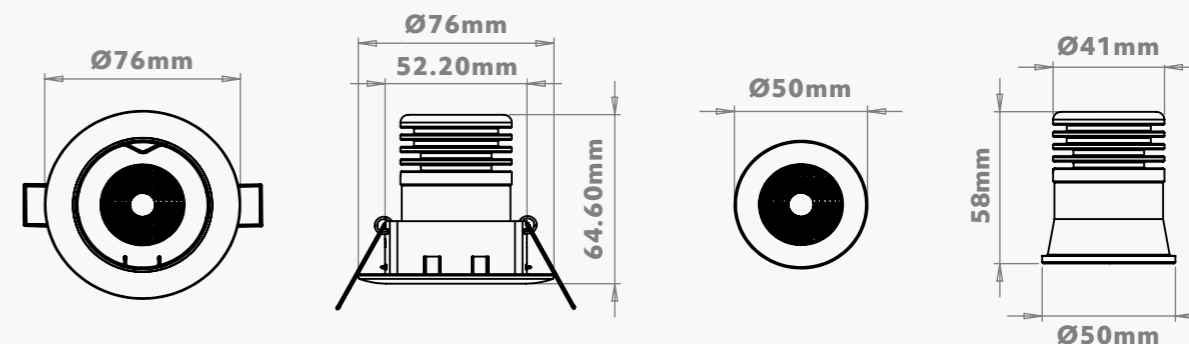
TECHNICAL SPECIFICATIONS

Channels **4Ch**
Wattage **4.8W**
Input Current **350mA**
IP Rating **IP20**
LED Type **RGBW / RGBA / TW**
Housing Cut Out **65mmØ**
Lens Options **15°/25°/40°**
LED Connection **RJ45**
Lumen Output **284lm [RGBW] / 227lm [RGBA] / 446lm [TW]**
Operating Temp Range **-20 to 50 °C**

OPTIONAL ACCESSORIES

T-Piece Connector **RJ45**
Gimbal **Static**

DIMENSIONS

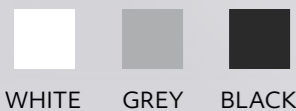


OPTIONAL STATIC GIMBAL HOUSING





AVAILABLE COLOURS



COLOUR SOURCE 16

CC LED DOWNLIGHT

The Colour Source 16 is our most powerful downlight, with four high performance mix-at-source multi-chip LEDs, providing a homogeneous and powerful wash of colour.

Product Code: CS16-DL- RGBW / RGBA / TW

Compatible With : LUD 48 , LUD 192

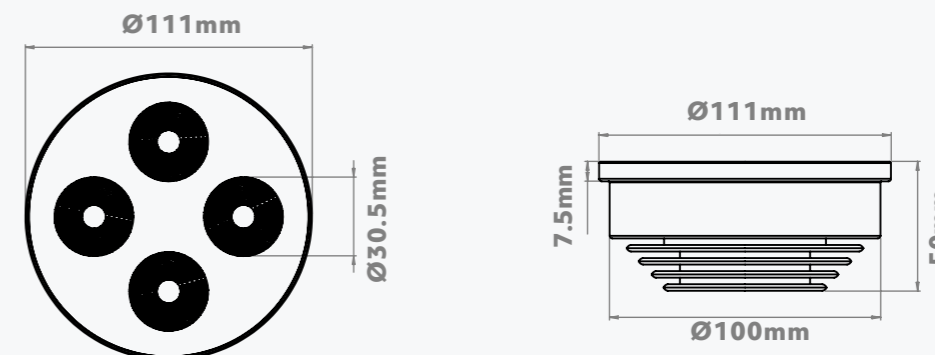
TECHNICAL SPECIFICATIONS

Channels **4Ch**
Wattage **19.2W**
Input Current **350mA**
IP Rating **IP50**
LED Type **RGBW /RGBA /TW**
Housing Cut Out **160mmØ**
Lens Options **15°/25°/40°**
LED Connection **RJ45**
Lumen Output **1,136lm [RGBW] / 908lm [RGBA] / 1,784lm [TW]**
Operating Temp Range **-20 to 50 °C**

OPTIONAL ACCESSORIES

T-Piece Connector **RJ45**
Gimbal **Tilttable**

DIMENSIONS



OPTIONAL TILTABLE GIMBAL HOUSING

GLOSS WHITE



LED INGROUNDS

Ingress-protected inground fixtures, ranging from recessed marker lights to impressive up lights, the inground range has the tool to take on those projects where a recessed solution is required.



CS1 INGROUND

Outdoor Decking
Installation.

IP67



CS4 INGROUND

Outdoor Decking
Installation.

IP67



CS16 INGROUND

Outdoor Decking
Installation.

IP67





AVAILABLE COLOURS



S/STEEL

COLOUR SOURCE 1

CC LED INGROUND

The CS1 might be small, but it is powerful.

One high performance LED thermally managed and housed in a precision engineered IP67 rated anodised aluminium housing.

With 316 stainless steel bezel, this fitting is perfect for step illumination inside or out.

Product Code: CS1-IGM- R / G / B / A / CW / NW / WW

TECHNICAL SPECIFICATIONS

Channels **1Ch**

Wattage **1.2W**

IP Rating **IP67**

LED Type **Single Colour**

Housing Cut Out **32mmØ**

LED Connection **2 Core**

Housing **Anodised Aluminium**

Bezel **316 Stainless Steel**

Lumen Output **67lm[R], 120lm[G], 29lm[B], 73lm[A], 154lm[CW], 146lm [WW]**

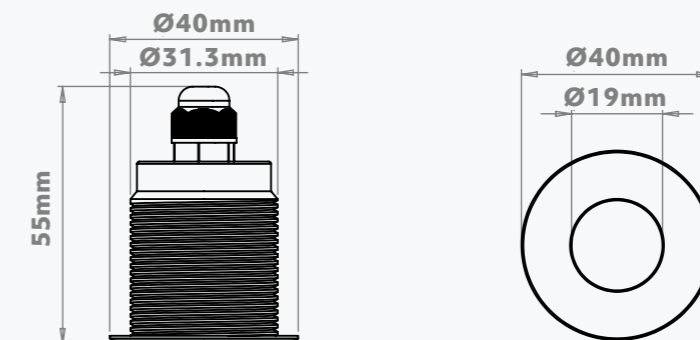
Operating Temp Range **-20 to 50 °C**

OPTIONAL DIFFUSER

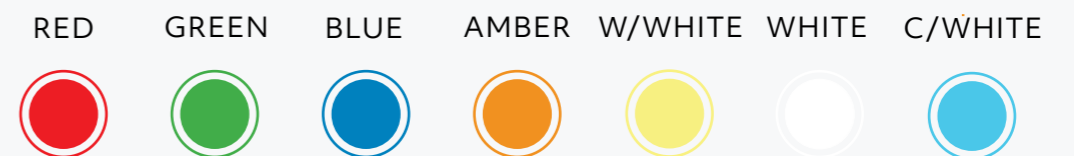
Polycarbonate **Clear [8°/25°]**

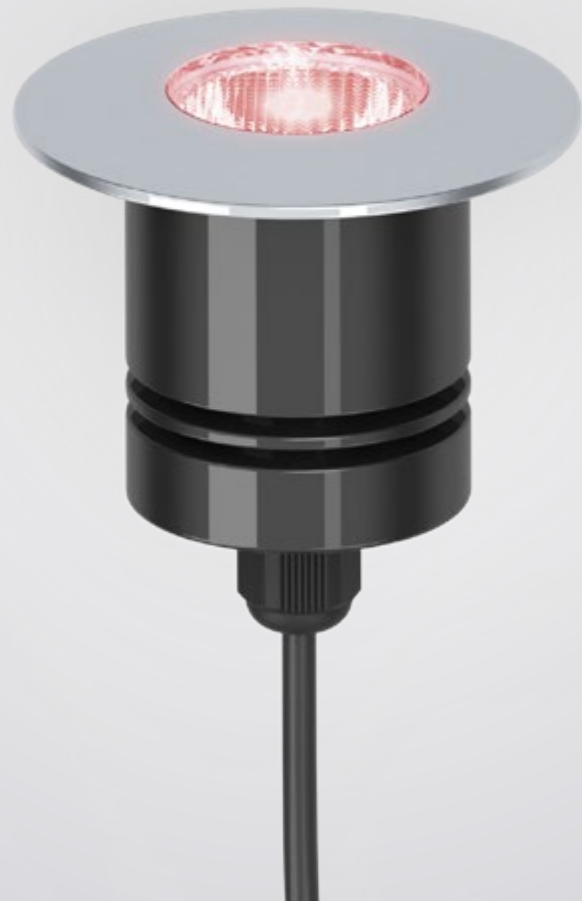
Polycarbonate **Frosted**

DIMENSIONS



SINGLE COLOUR OPTIONS





AVAILABLE COLOURS



S/STEEL

COLOUR SOURCE 4 CC LED INGROUND

Our CS4 Inground encases the same technology of our popular Colour Source 4 downlights into an IP67 rated anodised aluminium housing with 316 stainless steel bezel.

Perfect for external deck lighting.

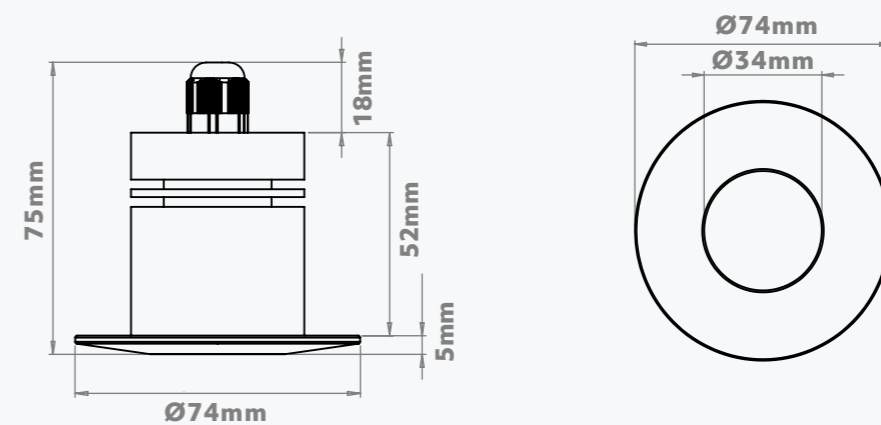
Product Code: CS4-IGM- RGBW / RGBA / TW

Compatible With : LUD 48 , LUD 192

TECHNICAL SPECIFICATIONS

- Channels **4Ch**
- Wattage **4.8W**
- Input Current **350mA**
- IP Rating **IP67**
- LED Type **RGBW / RGBA / TW**
- Housing Cut Out **46mmØ**
- Lens Options **15°/25°/40°**
- LED Connection **RJ45**
- Lumen Output **284lm [RGBW] / 227lm [RGBA] / 446lm [TW]**
- Operating Temp Range **-20 to 50 °C**

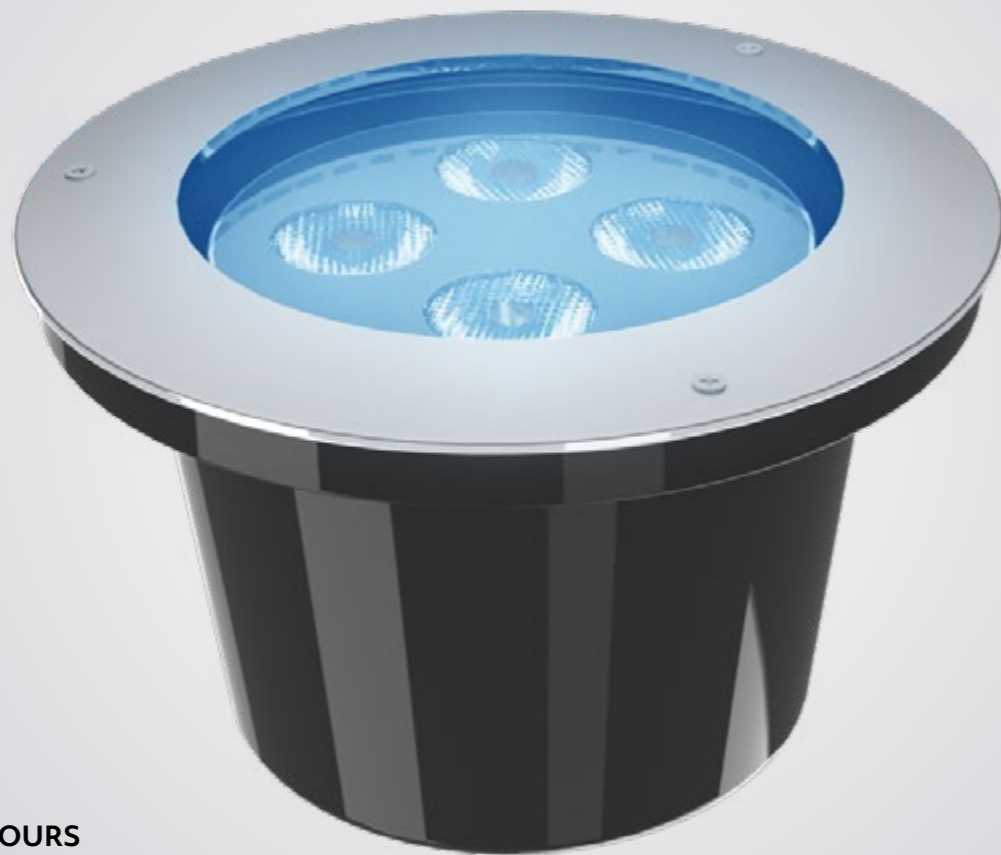
DIMENSIONS



OPTIONAL LENSES



- Our lense options are:
- 15° : Narrow Beam Angle**
 - 25° : Medium Beam Angle**
 - 40° : Wide Beam Angle**



AVAILABLE COLOURS



S/STEEL

COLOUR SOURCE 16

CC LED INGROUND

This Inground encases the same technology of our powerful Colour Source 16 downlights into an IP67 recessed inground housing with a stainless steel bezel.

Perfect for external applications where a powerful wash is required.

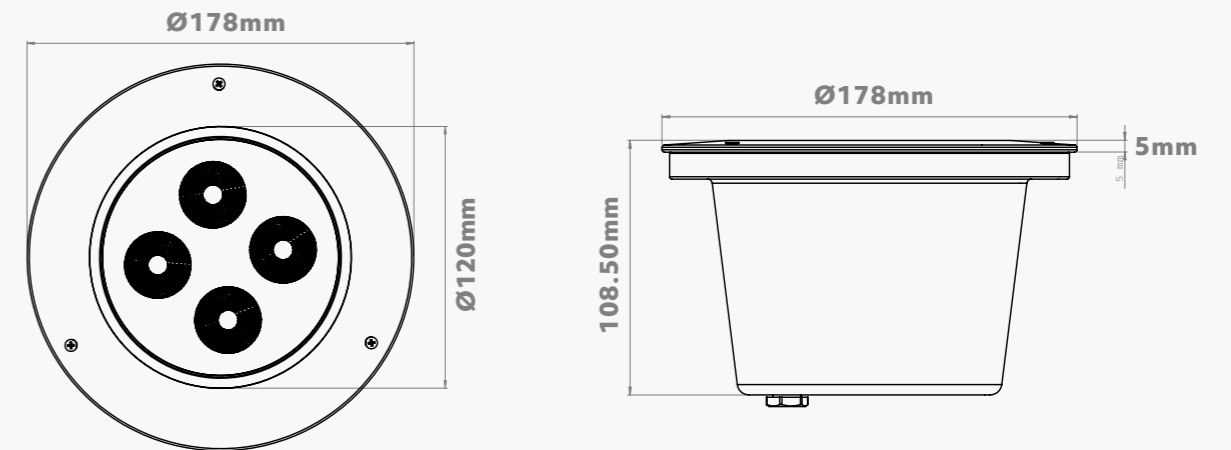
Product Code: CS16-DL- RGBW / RGBA / TW

Compatible With : LUD 48 , LUD 192

TECHNICAL SPECIFICATIONS

Channels **4Ch**
Wattage **19.2W**
Input Current **350mA**
IP Rating **IP67**
LED Type **RGBW / RGBA / TW**
Housing Cut Out **153 x 183mmØ**
Lens Options **15°/25°/40°**
LED Connection **RJ45**
Lumen Output **1,136lm [RGBW] / 908lm [RGBA] / 1,784lm [TW]**
Operating Temp Range **-20 to 50 °C**

DIMENSIONS



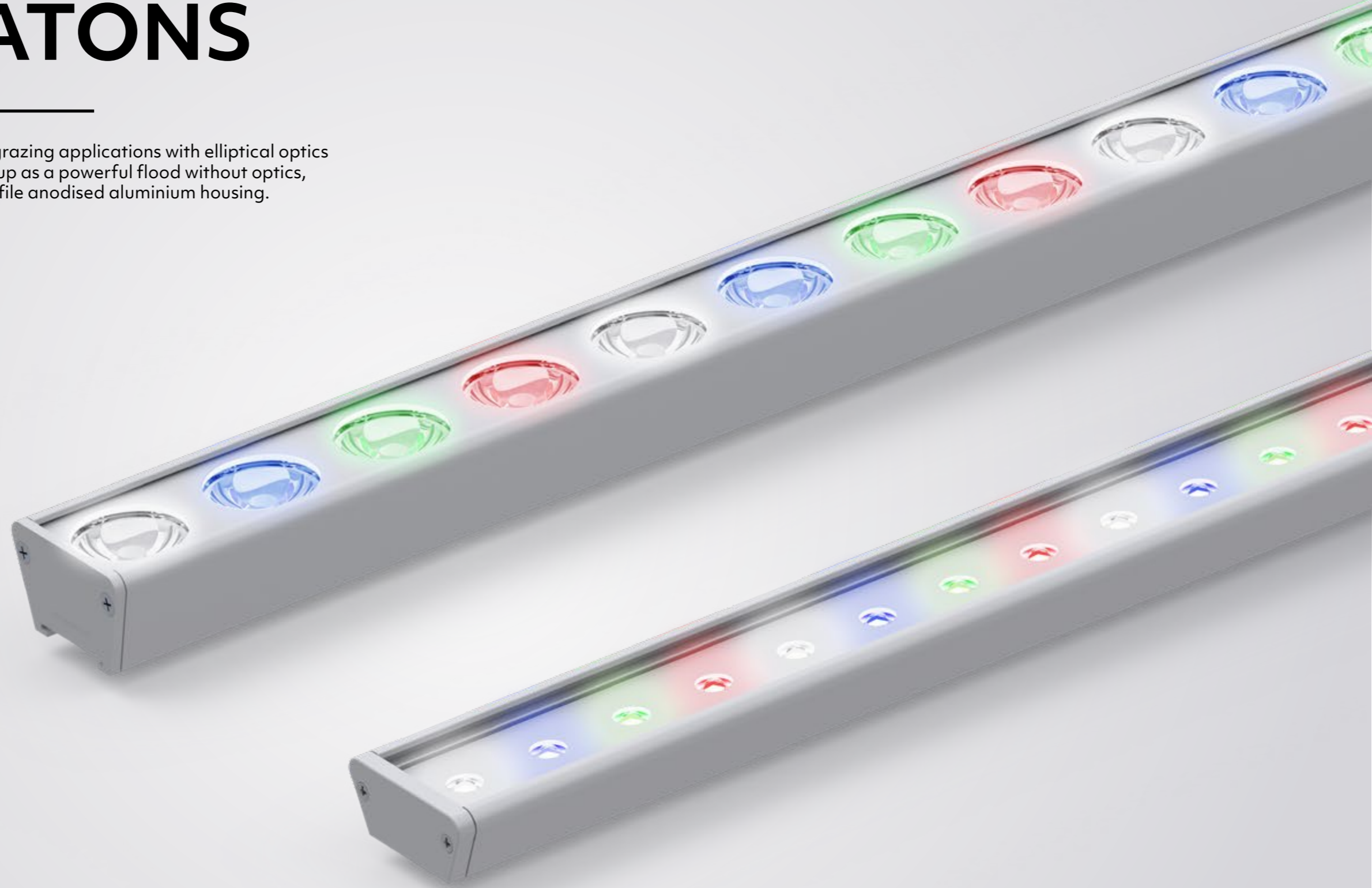
OPTIONAL LENSES

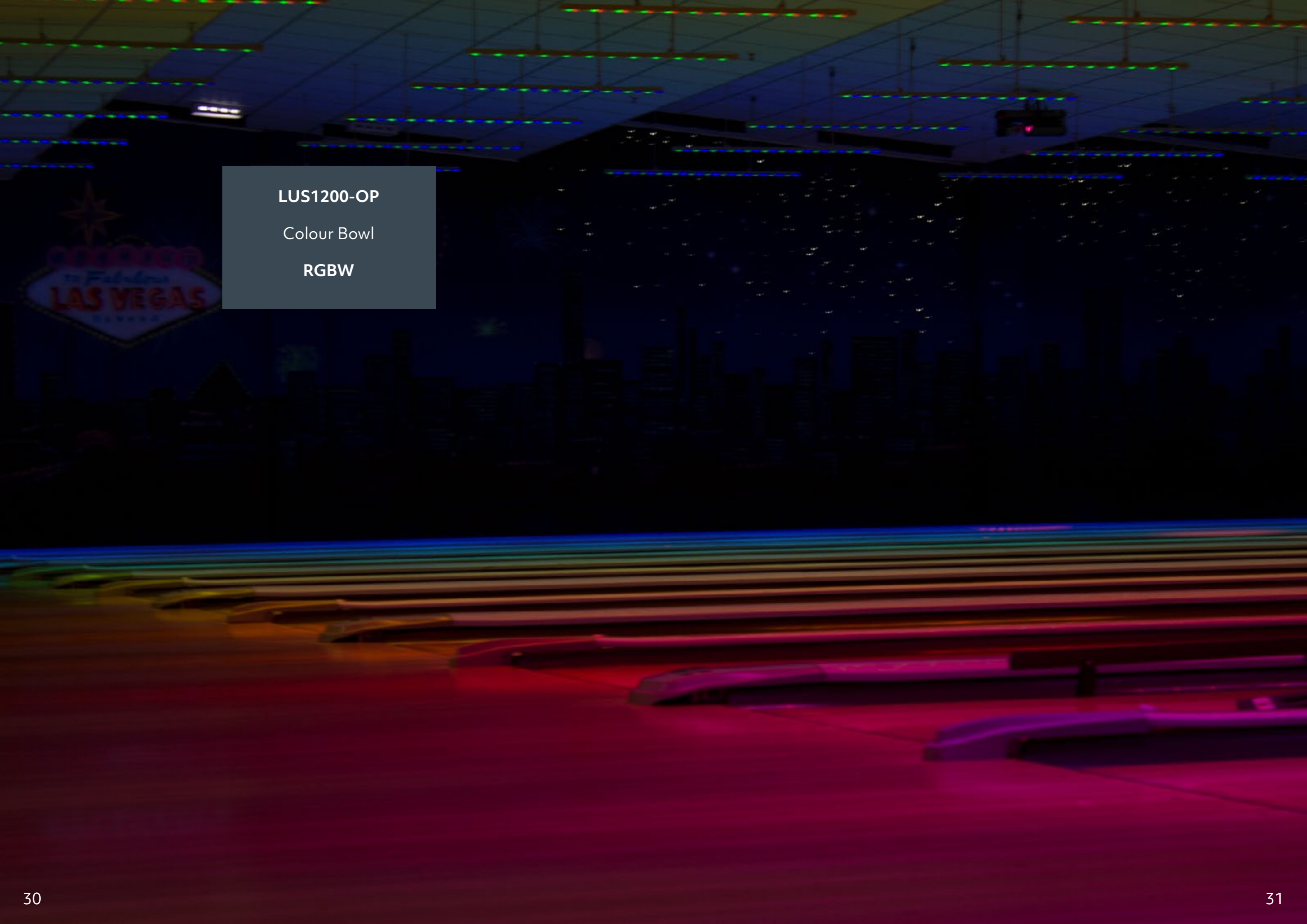


Our lense options are:
15° : Narrow Beam Angle
25° : Medium Beam Angle
40° : Wide Beam Angle

LED BATONS

High power linear light perfect for wall grazing applications with elliptical optics and high power LEDs, which doubles up as a powerful flood without optics, beautifully designed in a low profile anodised aluminium housing.

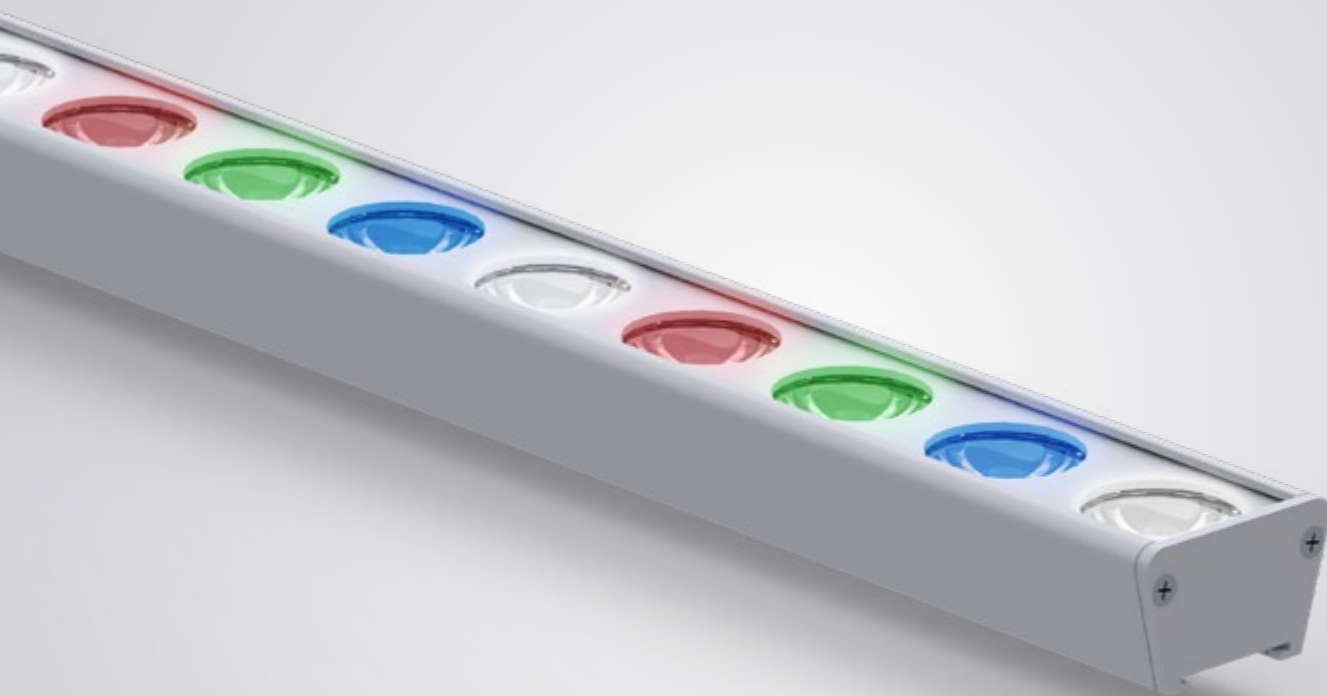




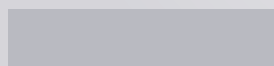
LUS1200-OP

Colour Bowl

RGBW



AVAILABLE COLOURS



ANODISED ALUMINIUM

LEDION ULTRA OPTIC

CC LED BATON

Perfect for wall grazing and other applications where high power linear light is required, the optic Ledion Ultra strip provides a high power multi-source linear wash.

Housed in a robust anodised aluminium extrusion and available with an IP65 polycarbonate housing.

Product Code: LUS400/800/1200 -OP- [IP] - RGBW / RGBA / TW

Compatible With : LUD 48 , LUD 192

TECHNICAL SPECIFICATIONS

Channels **4Ch**

Wattage **19.2W (400), 38.4W (800), 57.6W (1200)**

IP Rating **IP40**

Input Current **350mA**

LED Type **RGBW / RGBA / TW**

LED Connection **RJ45**

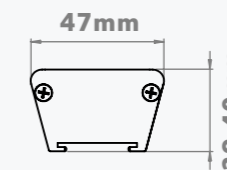
Lens Options **8°/25°/25° x 8°**

Housing Options **Anodised Aluminium**

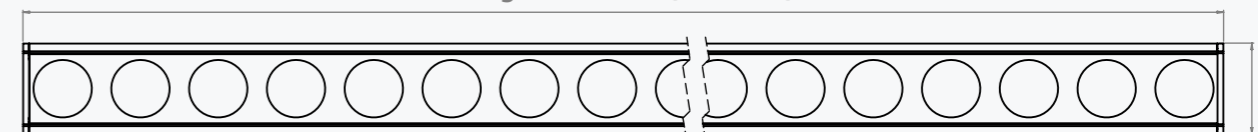
Lumen Output **3,700lm/M [RGBW] / 2,890lm/M [RGBA] / 4,020lm/M [TW]**

Operating Temp Range **-20 to 50 °C**

DIMENSIONS



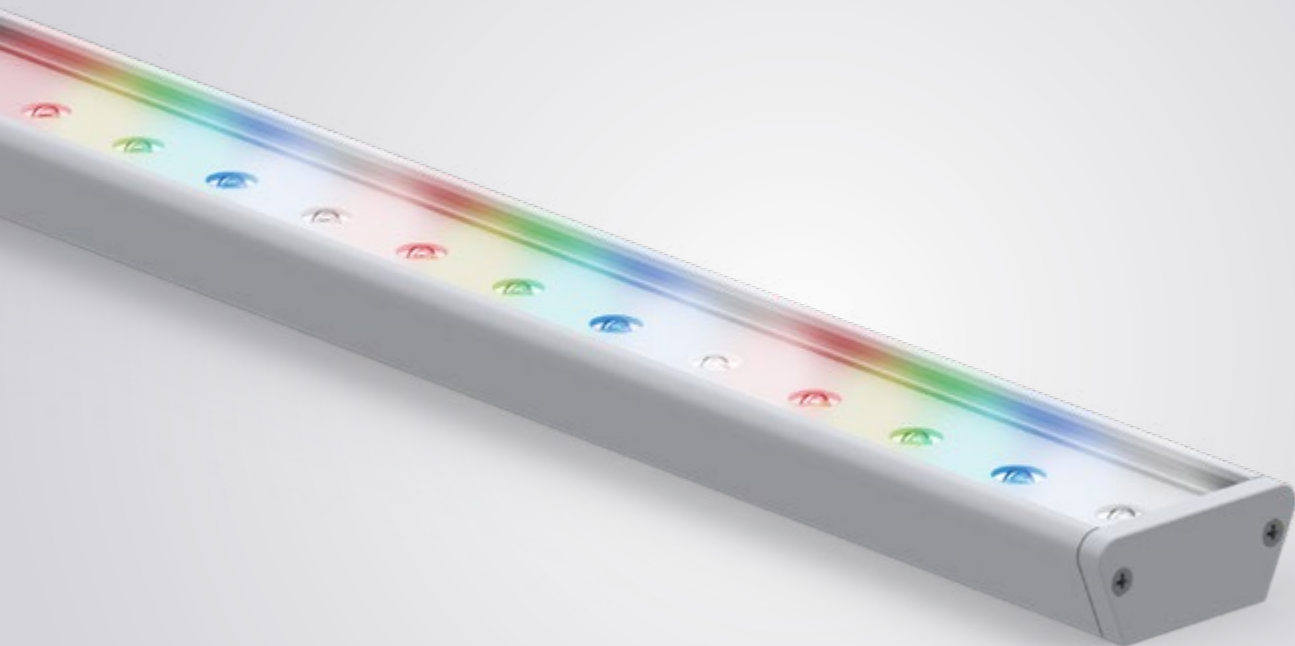
Available Lengths (400mm, 800mm, 1200mm)



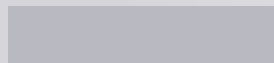
OPTIONAL LENSES



Our lense options are:
8° : Narrow Beam Angle
25° : Medium Beam Angle
25° x 8° : Elliptical Beam Angle



AVAILABLE COLOURS



ANODISED ALUMINIUM

LEDION ULTRA NON OPTIC CC LED BATON

The non optic Ledion Ultra strip provides a high power multi-source linear wash, housed in a robust anodised aluminium extrusion.

This product is perfect for applications where high power linear flood is required.

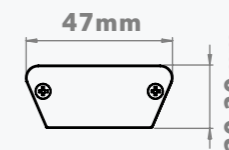
Product Code: LUS400/800/1200 - [IP] - RGBW / RGBA / TW

Compatible With : LUD 48 , LUD 192

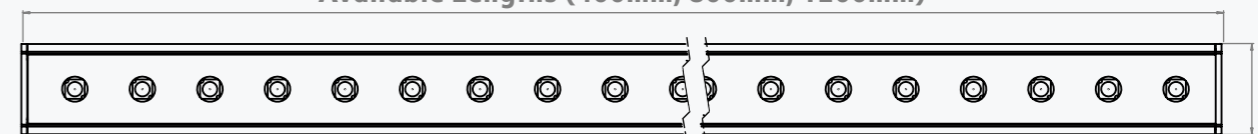
TECHNICAL SPECIFICATIONS

Channels **4Ch**
Wattage **19.2W (400), 38.4W (800), 57.6W (1200)**
Input Current **350mA**
IP Rating **IP40**
LED Type **RGBW / RGBA / TW**
LED Connection **RJ45**
Housing Options **Anodised Aluminium**
Lumen Output **3,700lm/M [RGBW] / 2,890lm/M [RGBA] / 4,020lm/M [TW]**
Operating Temp Range **-20 to 50 °C**

DIMENSIONS



Available Lengths (400mm, 800mm, 1200mm)



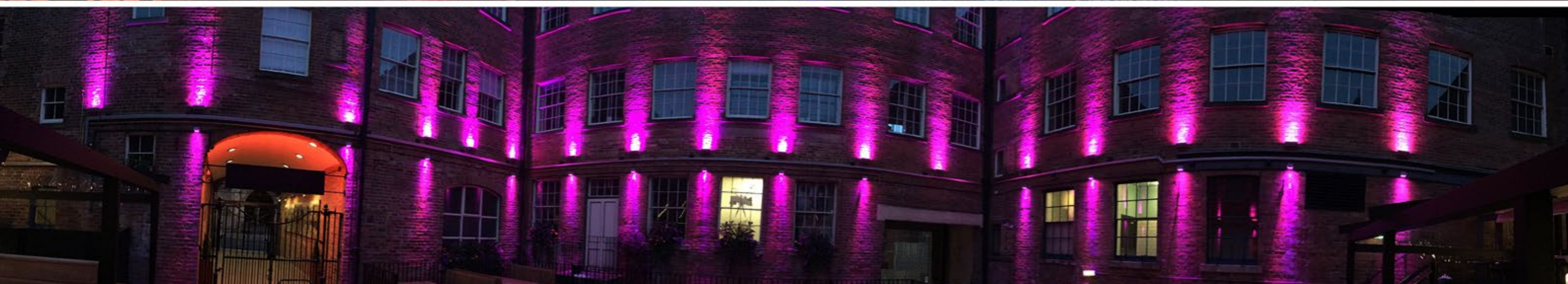
LED WASH LIGHTS

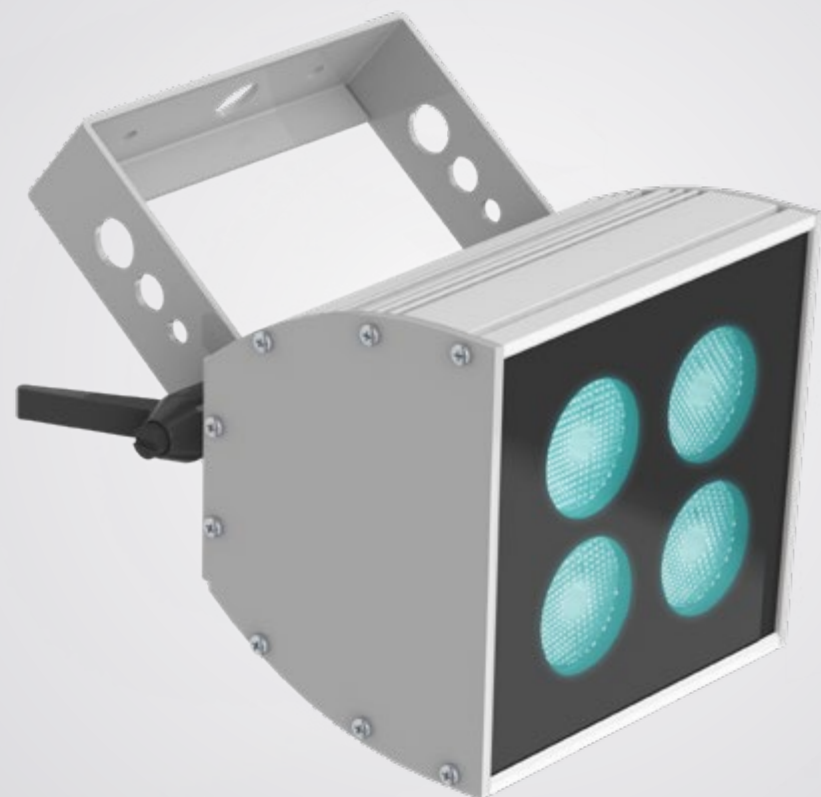
Illuminate the Skyline with our range of external grade wash lights, giving lighting professionals the tools to add colour to a wide range of applications.





SL4/SL12
Nation Of Shopkeepers
Leeds
IP65





AVAILABLE COLOURS



SKYLINE 4

CC LED WASH LIGHT

The SL4 packs a powerful colour mix at source with the latest in multi-chip LED technology.

It is neatly packed into and thermally managed by an IP65 rated aluminium housing, making this fitting suitable for a wide variety of applications.

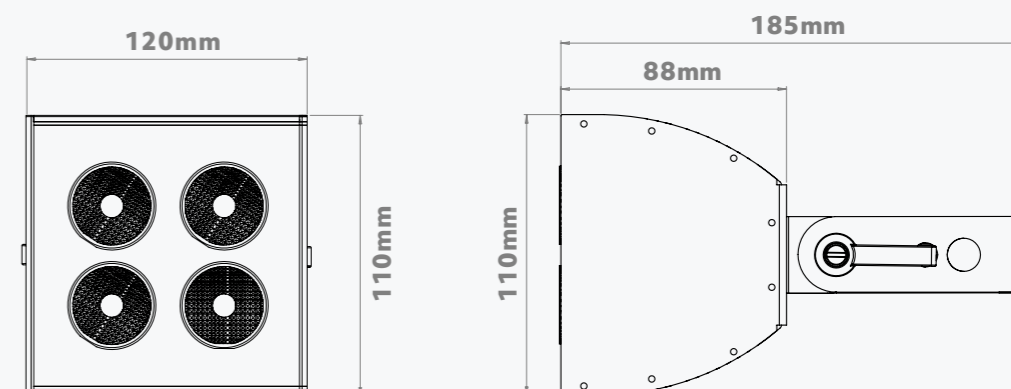
Product Code: SL4-WL- RGBW / RGBA / TW

Compatible With : LUD 48 , LUD 192

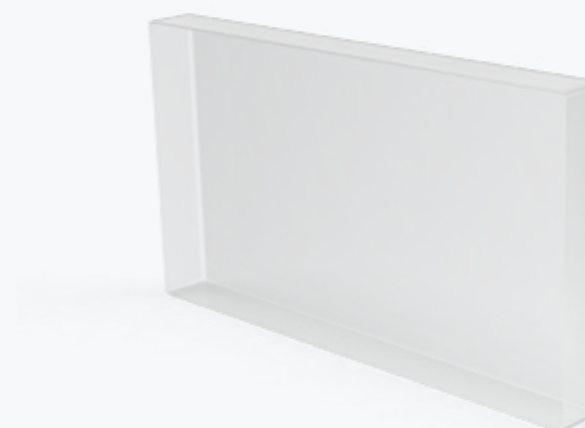
TECHNICAL SPECIFICATIONS

Channels **4Ch**
Wattage **19.2W**
Input Current **350mA**
IP Rating **IP65**
LED Type **RGBW / RGBA / TW**
Housing Options **Grey / White / Black**
Lens Options **15°/25°/40°**
LED Connection **RJ45**
Lumen Output **1,136lm [RGBW] / 908lm [RGBA] / 1,784lm [TW]**
Operating Temp Range **-20 to 50 °C**

DIMENSIONS

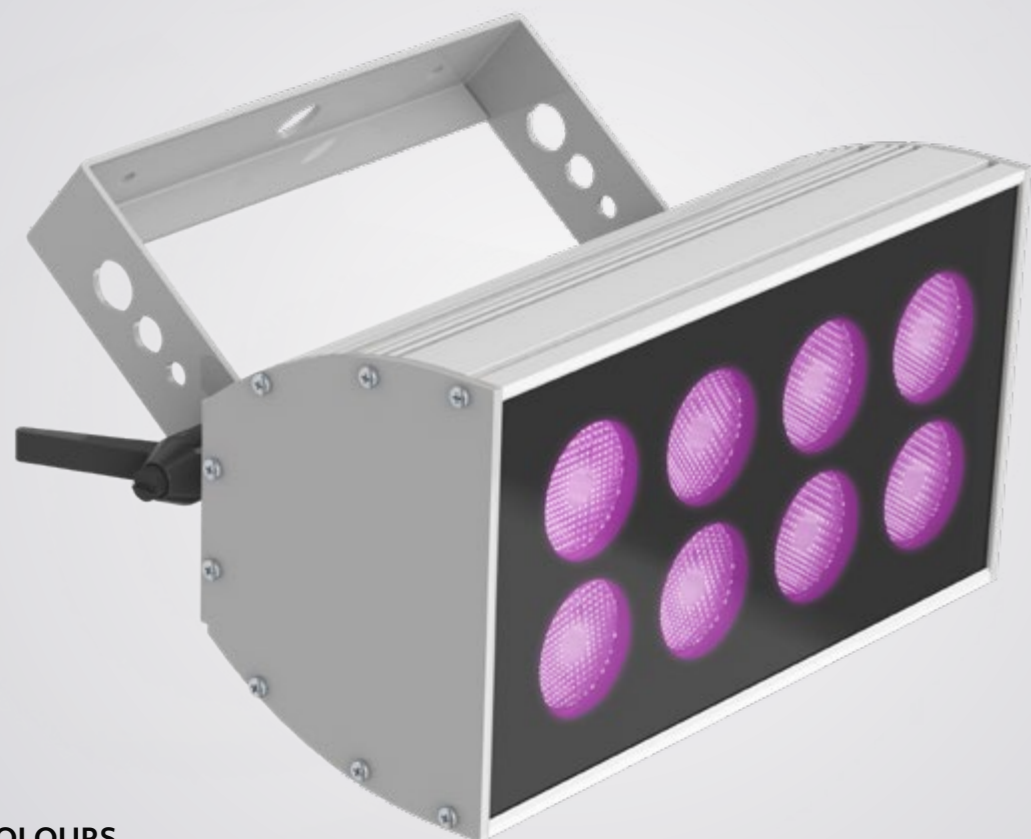


OPTIONAL PROTECTION COVER



HARSH ENVIRONMENT COVER

For harsh environments this cover is fitted around the front of the SKYLINE unit to give it maximum protection.



AVAILABLE COLOURS



SKYLINE 8

CC LED WASH LIGHT

The SL8 packs a powerful colour mix at source with the latest in multi-chip LED technology.

It is neatly packed into and thermally managed by an IP65 rated aluminium housing, making this fitting suitable for a wide variety of applications.

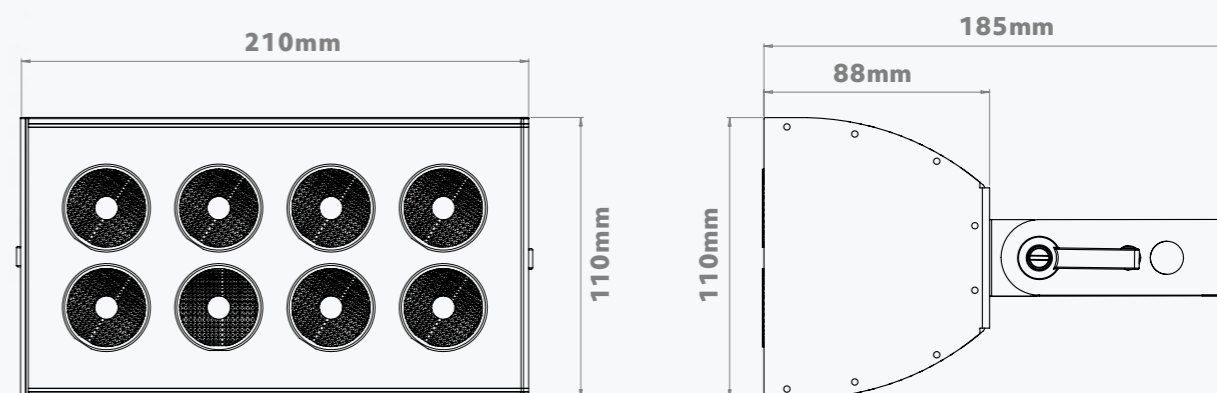
Product Code: SL8-WL- RGBW / RGBA / TW

Compatible With : LUD 48 , LUD 192

TECHNICAL SPECIFICATIONS

Channels **4Ch**
 Wattage **38.4W**
 Input Current **350mA**
 IP Rating **IP65**
 LED Type **RGBW / RGBA / TW**
 Housing Options **Grey / White / Black**
 Lens Options **15°/25°/40°**
 LED Connection **RJ45**
 Lumen Output **2,272lm [RGBW] / 1,816lm [RGBA] / 3,568lm [TW]**
 Operating Temp Range **-20 to 50 °C**

DIMENSIONS

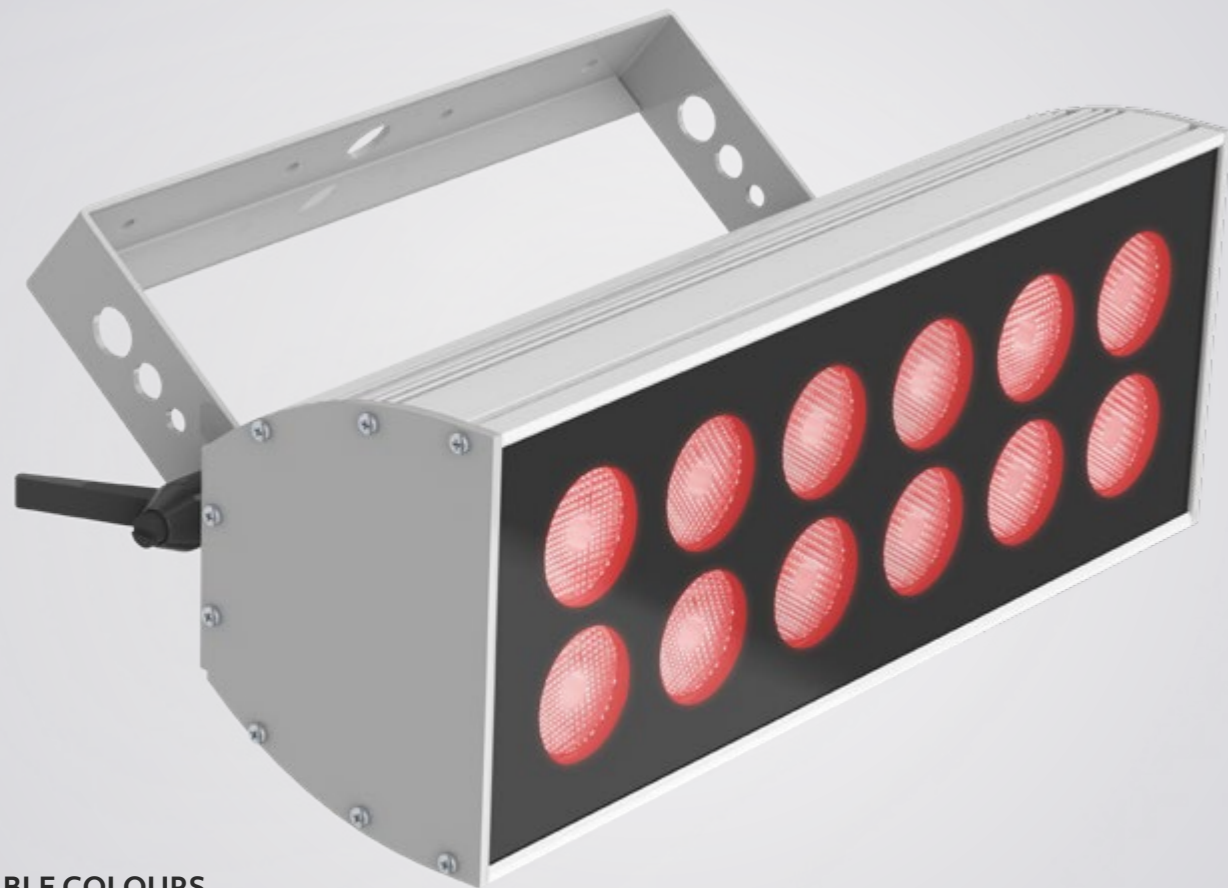


OPTIONAL PROTECTION COVER

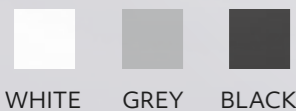


HARSH ENVIRONMENT COVER

For harsh environments this cover is fitted around the front of the SKYLINE unit to give it maximum protection.



AVAILABLE COLOURS



SKYLINE 12

CC LED WASH LIGHT

The SL12 packs a powerful colour mix at source with the latest in multi-chip LED technology.

It is neatly packed into and thermally managed by an IP65 rated aluminium housing, making this fitting suitable for a wide variety of applications.

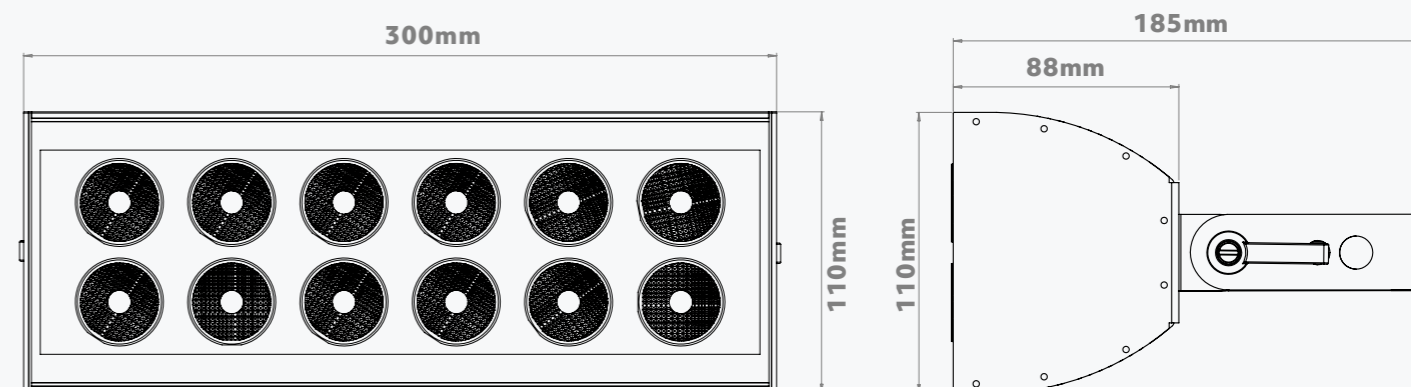
Product Code: SL12-WL- RGBW / RGBA / TW

Compatible With : LUD 48 , LUD 192

TECHNICAL SPECIFICATIONS

Channels **4Ch**
Wattage **57.6W**
Input Current **350mA**
IP Rating **IP65**
LED Type **RGBW / RGBA / TW**
Housing Options **Grey / White / Black**
Lens Options **15°/25°/40°**
LED Connection **RJ45**
Lumen Output **3,408lm [RGBW] / 2,724lm [RGBA] / 5,352lm [TW]**
Operating Temp Range **-20 to 50 °C**

DIMENSIONS

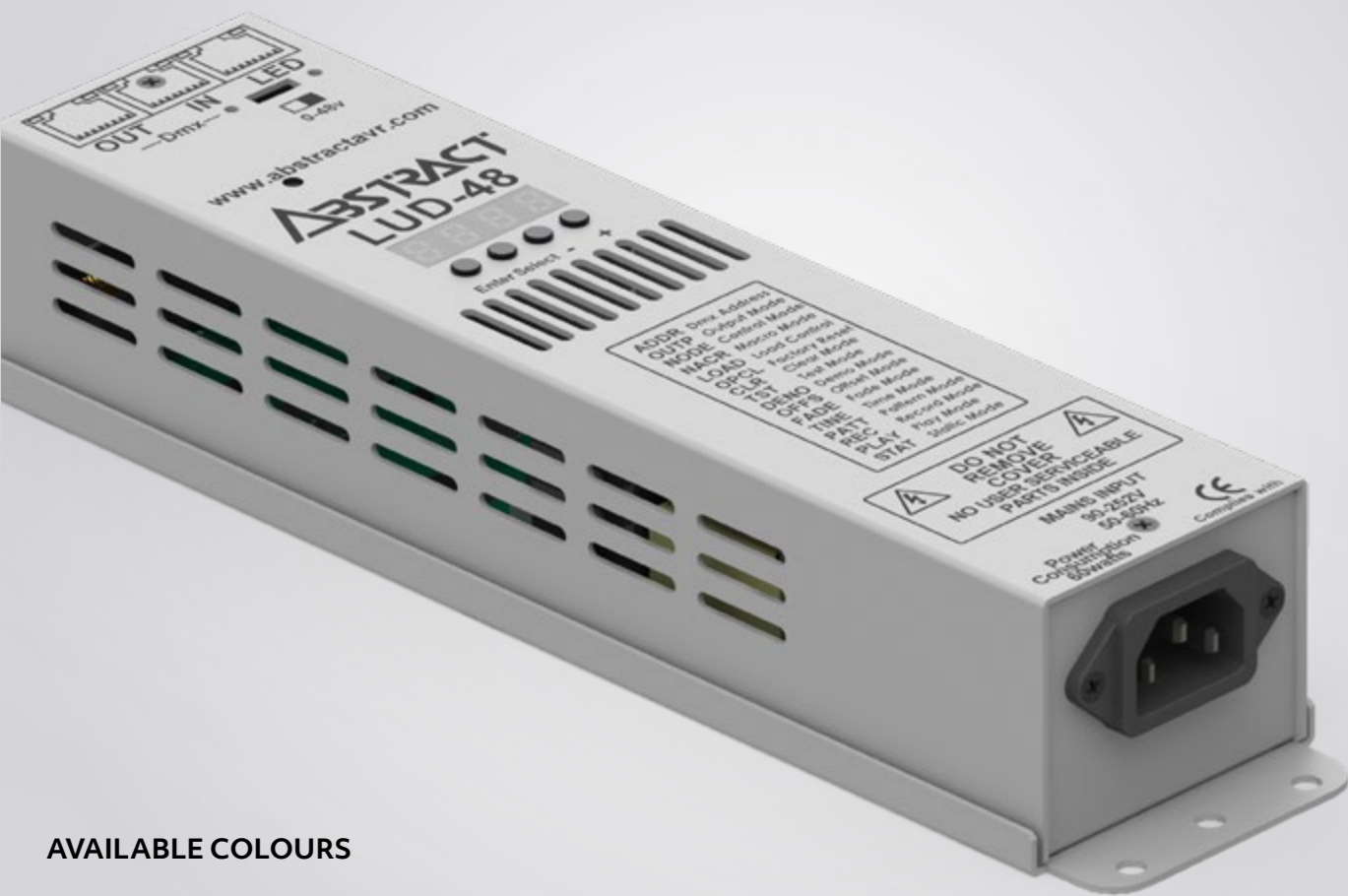


OPTIONAL PROTECTION COVER



HARSH ENVIRONMENT COVER

For harsh environments this cover is fitted around the front of the SKYLINE unit to give it maximum protection.



AVAILABLE COLOURS



LEDION ULTRA DRIVE 48

CC LED DMX DRIVER

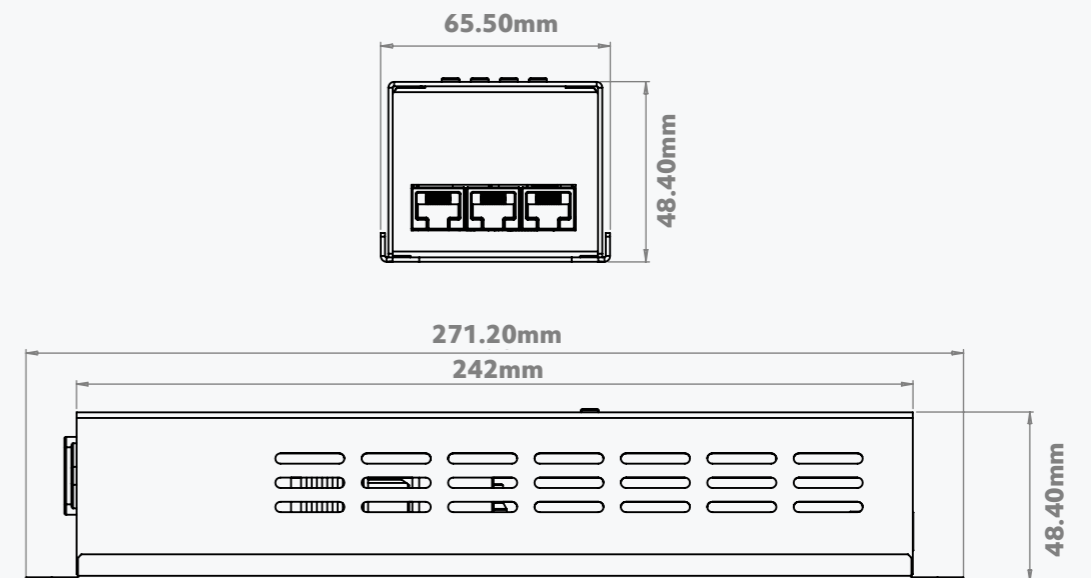
Driver technology doesn't come any more tested than the LUD48, with over 15 years in the field to back it up, this DMX driver will keep your 350mA LED lighting running... and running... and running.

Product Code: LUD48-D

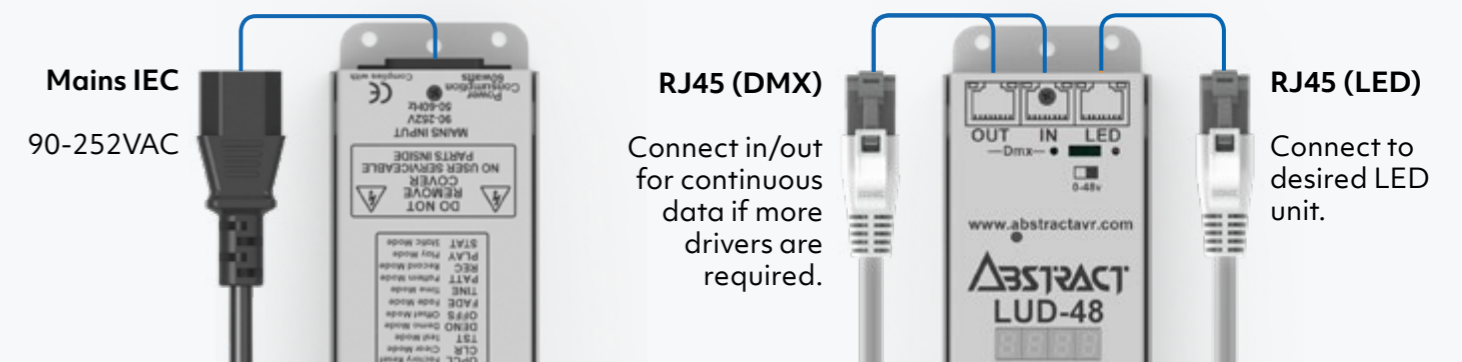
TECHNICAL SPECIFICATIONS

- Output Current **350mA**
- LED Outputs **1**
- Max Voltage **48V**
- Power Consumption **60W**
- Channels **1-4Ch (RGB[W])**
- Power Input Mains **100-240VAC**
- Data & LED Connections **RJ45**
- Operating Temp Range **-20° to 50 °C**

DIMENSIONS



CONNECTIONS





AVAILABLE COLOURS



LEDION ULTRA DRIVE 192

CC LED DMX DRIVER

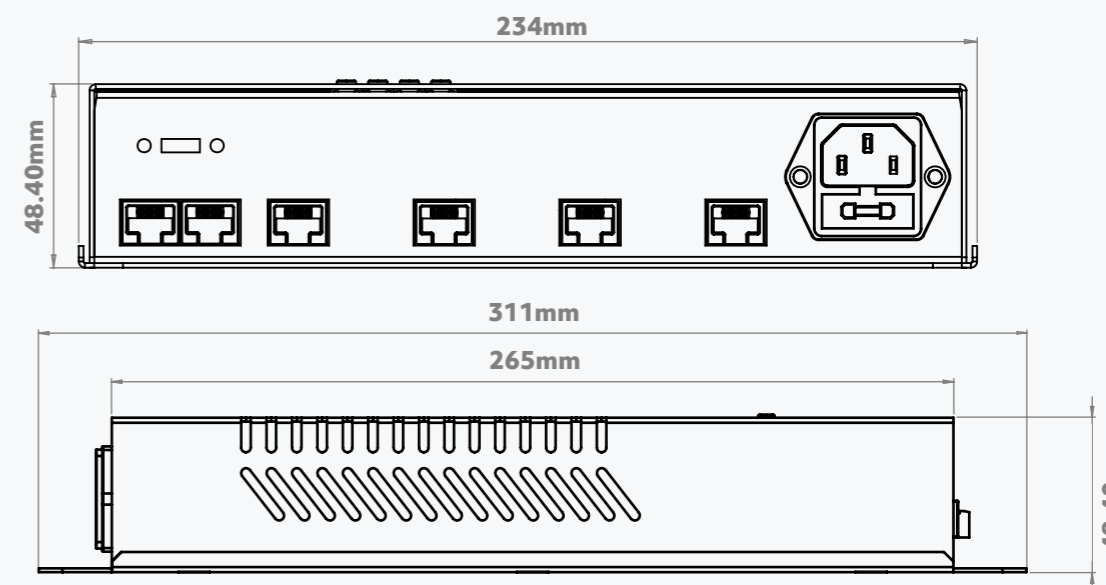
Utilising the proven technology of the ledion ultra 48, with over 15 years in the field to back it up, this DMX driver will safely power & control more of your 350mA LED from one driver unit.

Product Code: LUD192-D

TECHNICAL SPECIFICATIONS

- Output Current **350mA**
- LED Outputs **4**
- Max Voltage **48V**
- Power Consumption **240W**
- Channels **1-16Ch (RGB[W])**
- Power Input Mains **100-240VAC**
- Data & LED Connections **RJ45**
- Operating Temp Range **-20° to 50 °C**

DIMENSIONS



CONNECTIONS

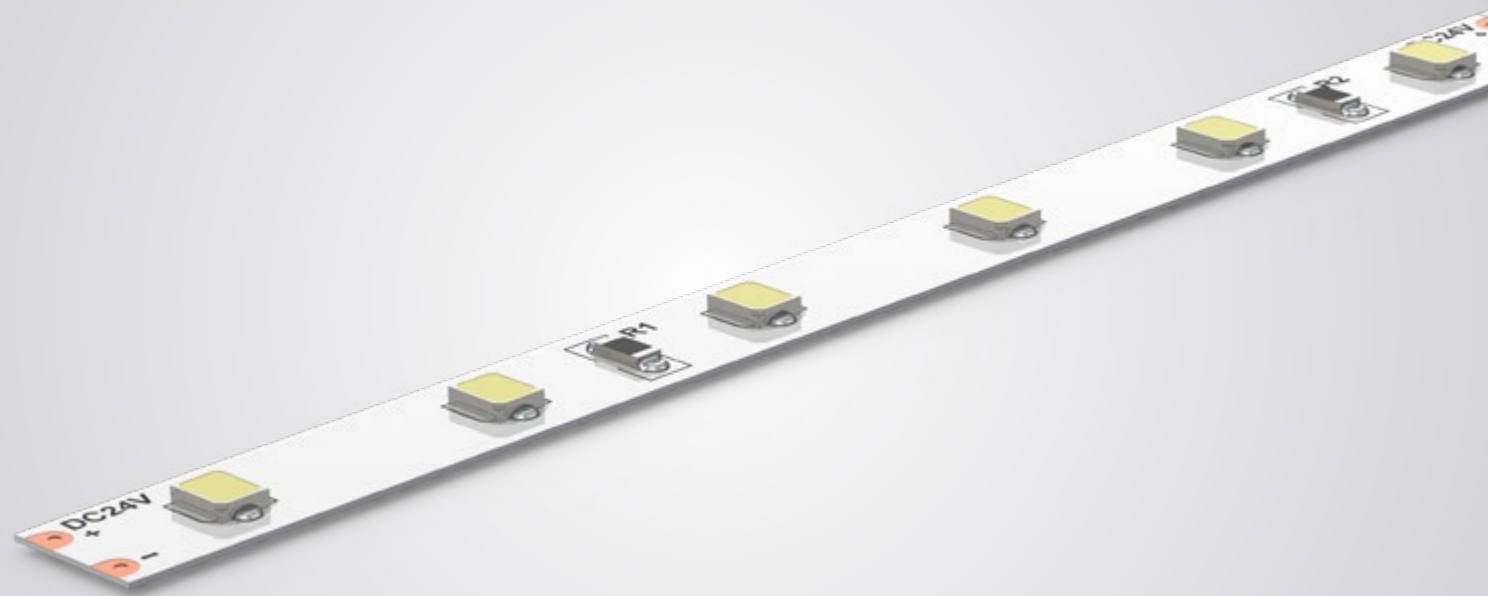




Bonbonniere

London

**FLEXIBLE LED
STRIP**



AVAILABLE WHITE



3000k 6000k

FLEXIBLE ULTRA POWER WHITE 12W CV LED FLEXIBLE STRIP

Cuttable, stickable, reliable, ultra power White flexible LED with 60 high efficiency LEDs per meter will provide an ultra bright and uniformed linear White light.

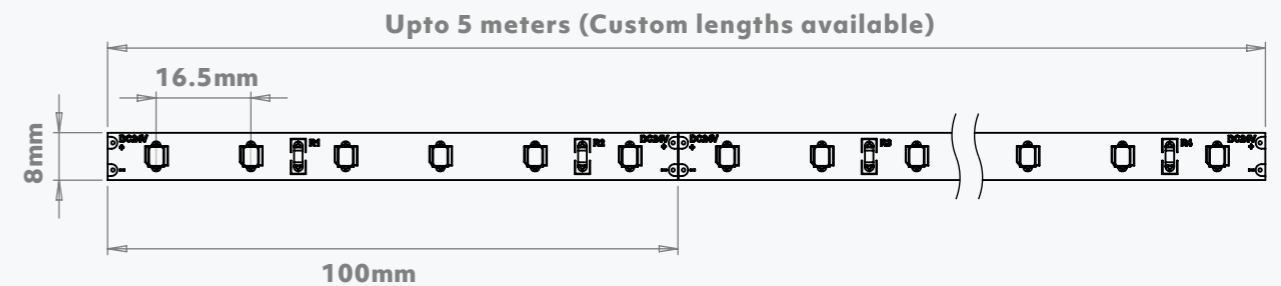
Designed for ease of installation and for peace of mind with high reliability as a must.

Product Code: MF-UP- WW / NW / CW - [IP]

TECHNICAL SPECIFICATIONS

- Voltage **24V**
- LED's Per Meter **60**
- LED Type **SMD2835**
- Power Consumption **12W/M**
- Channels **1Ch [WW] [NW] [CW]**
- IP Rating **IP20**
- Cutting Points **100mm**
- Lumen Output **1,608lm/M[WW], 1,680lm/M [NW], 1,608lm/M [CW]**
- Operating Temp Range **-20 to 50 °C**

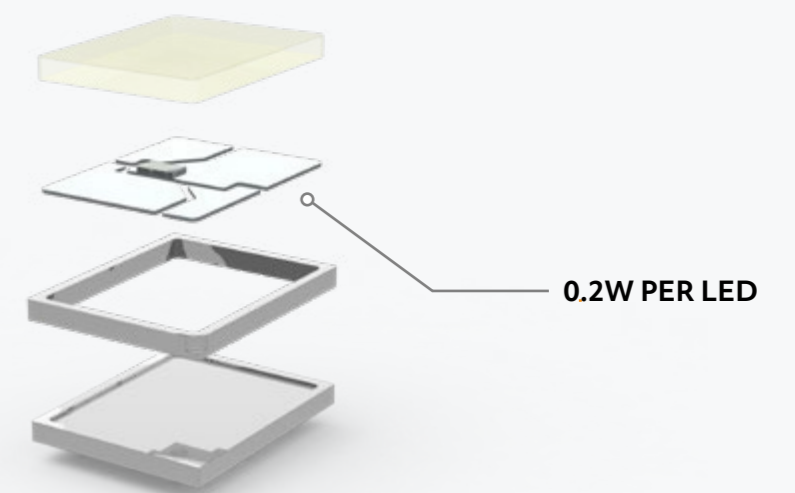
DIMENSIONS

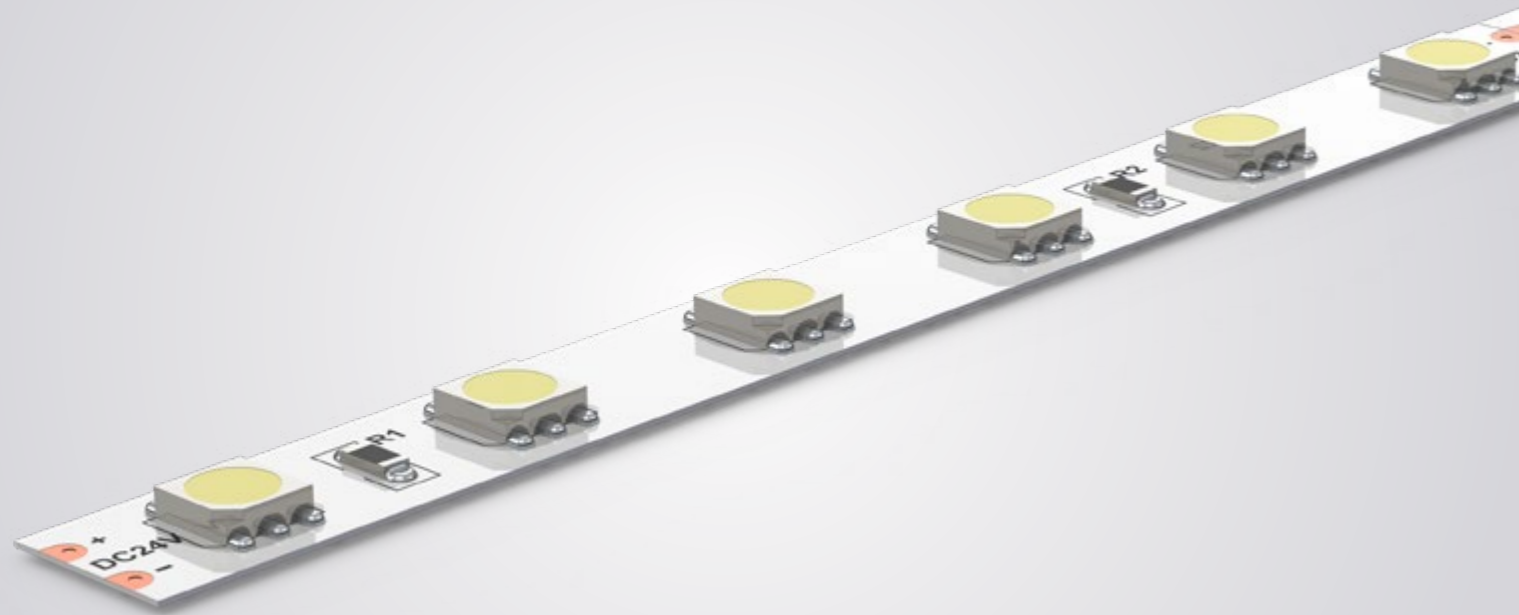


LED TECHNOLOGY

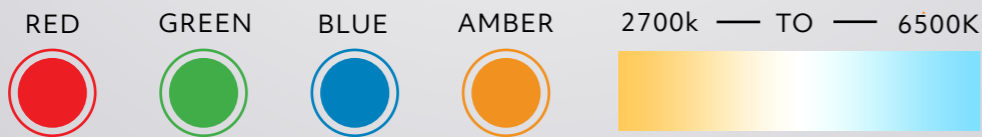
SMD2835 WHITE LED

The SMD2835 is the most efficient White SMD technology, with a higher lumen output per watt and unrivalled epistar quality,





AVAILABLE COLOURS



FLEXIBLE HIGH POWER SINGLE 14.4W CV LED FLEXIBLE STRIP

Cuttable, stickable, reliable, high power single colour flexible LED with 60 high power LEDs per meter will provide a bright and uniformed linear light.

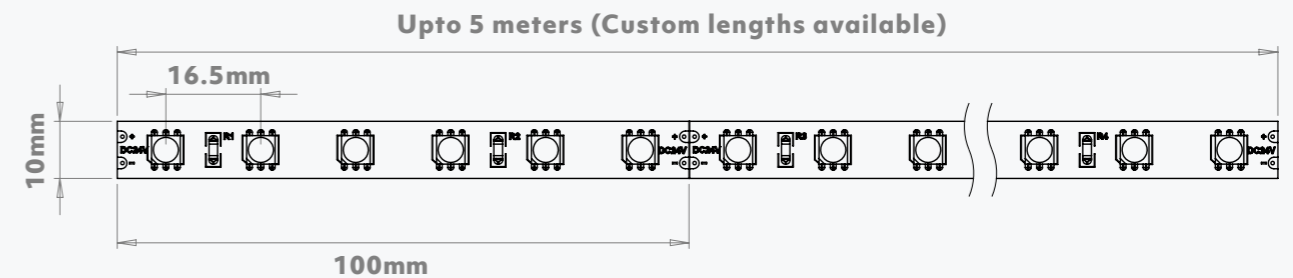
Designed for ease of installation and for peace of mind with high reliability as a must.

Product Code: MF-HP- R / G / B / A / WW / NW / CW - [IP]

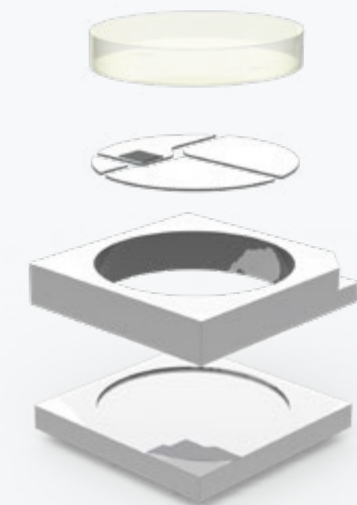
TECHNICAL SPECIFICATIONS

- Voltage **24V**
- LED's Per Meter **60**
- LED Type **SMD5050**
- Power Consumption **14.4W/M**
- Channels **1Ch [R] [G] [B] [A] [2700K-6500K]**
- IP Rating **IP20**
- Cutting Points **100mm**
- Operating Temp Range **-20°to 50 °C**

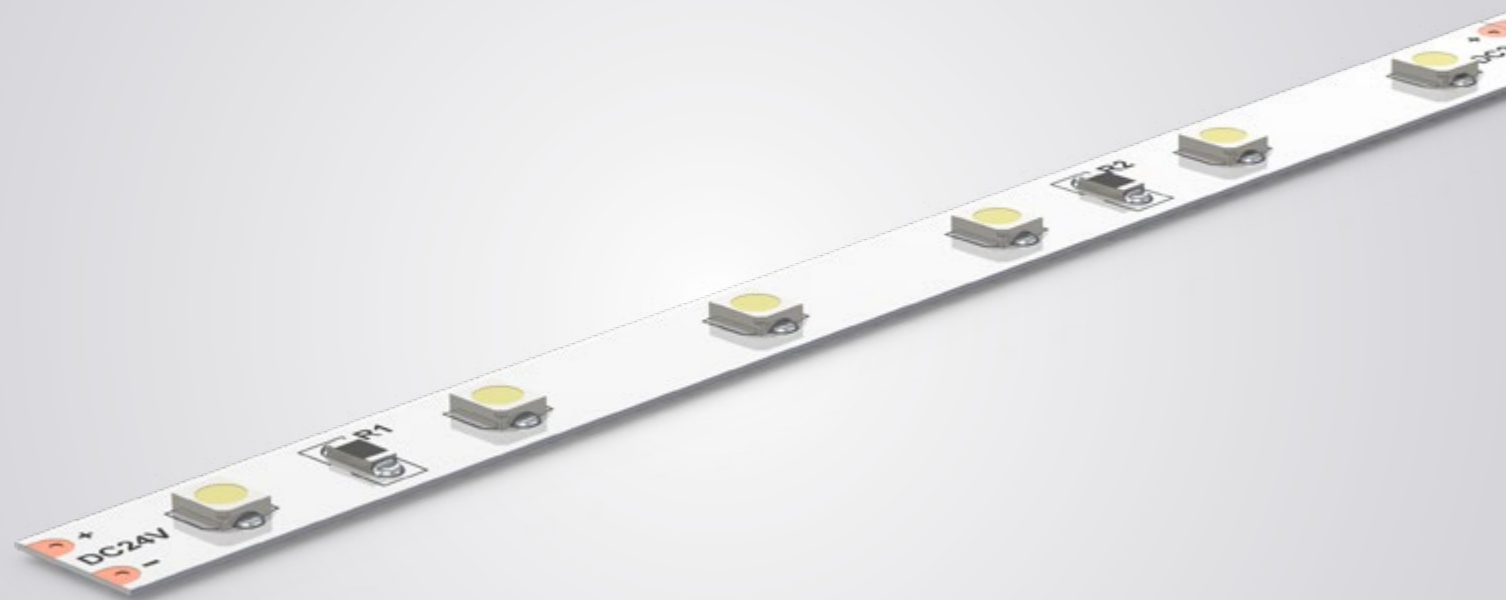
DIMENSIONS



LED TECHNOLOGY



0.24W PER LED



AVAILABLE COLOURS



FLEXIBLE STANDARD POWER 4.8W

CV LED FLEXIBLE STRIP

Cuttable, stickable, reliable, standard power single colour flexible LED with 60 LEDs per meter, is perfect to achieve a subtle glow to define an area or feature.

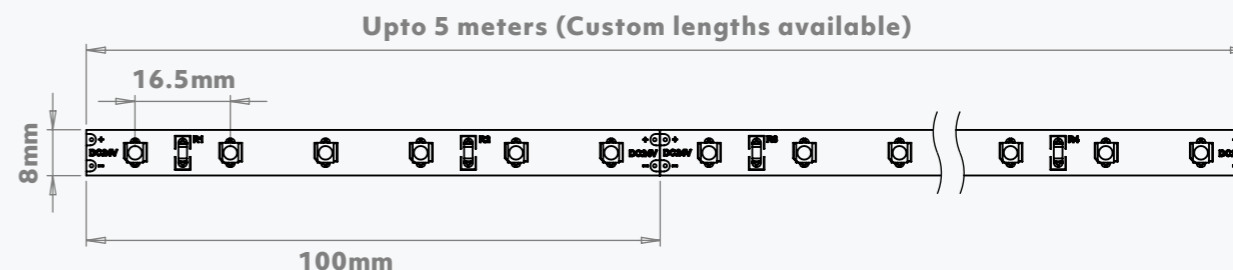
Designed for ease of installation and for peace of mind with high reliability as a must.

Product Code: MF-SP- R / G / B / A / WW / NW / CW - [IP]

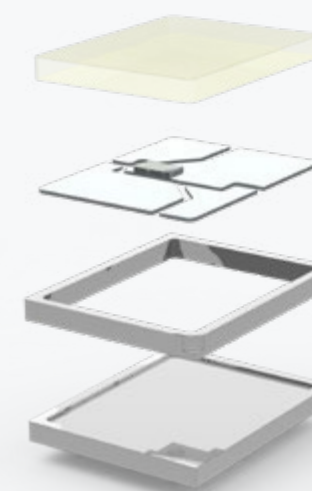
TECHNICAL SPECIFICATIONS

- Voltage **24V**
- LED's Per Meter **60**
- LED Type **SMD3528**
- Power Consumption **4.8W/M**
- Channels **1Ch [R] [G] [B] [A] [2700K-6500K]**
- IP Rating **IP20**
- Cutting Points **100mm**
- Operating Temp Range **-20°to 50 °C**

DIMENSIONS



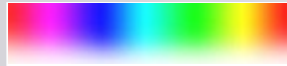
LED TECHNOLOGY



0.08W PER LED



AVAILABLE COLOUR MIX



FLEXIBLE RGBW LED TAPE 19.2W/M

CV LED FLEXIBLE STRIP

Cuttable, stickable, reliable, high power colour changing flexible LED with dedicated White. Perfect for vivid colour mixes with 60 LEDs per meter for a bright and uniformed linear output.

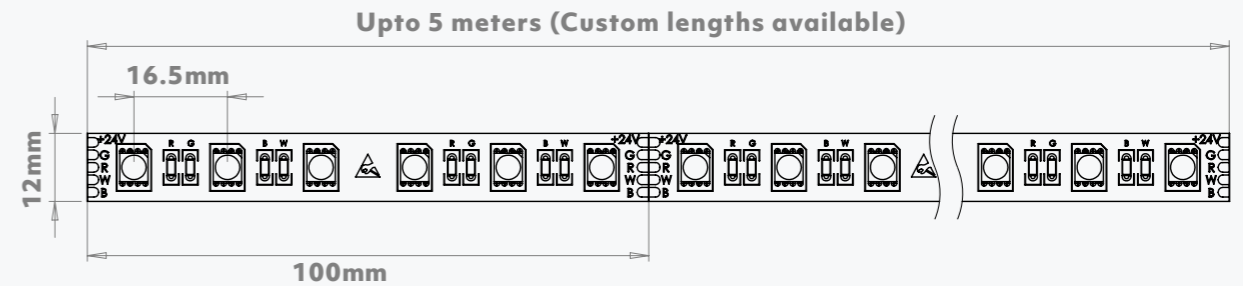
Designed for ease of installation and for peace of mind with high reliability as a must.

Product Code: QF-HP-RGBW - [IP]

TECHNICAL SPECIFICATIONS

Voltage **24V**
 LED's Per Meter **60**
 LED Type **SMD5050**
 Power Consumption **19.2W/M**
 Channels **4Ch (RGB[W])**
 IP Rating **IP20**
 Cutting Points **100mm**
 Lumen Output **1,440lm/M [RGBW]**
 Operating Temp Range **-20 to 50°C**

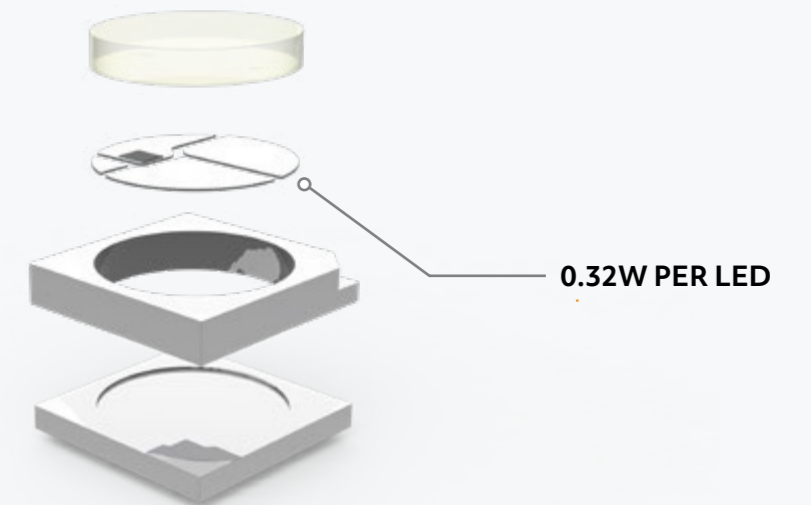
DIMENSIONS



LED TECHNOLOGY

SMD5050 RGBW LED

Utilising brand new 4 channel mix-at-source technology this RGBW chip is the most powerful yet.





AVAILABLE COLOUR MIX



FLEXIBLE RGB LED TAPE 14.4W/M

CV LED FLEXIBLE STRIP

Cuttable, stickable, reliable, high power colour changing flexible LED, perfect for vivid colour mixes with 60 LEDs per meter for a bright and uniform linear output.

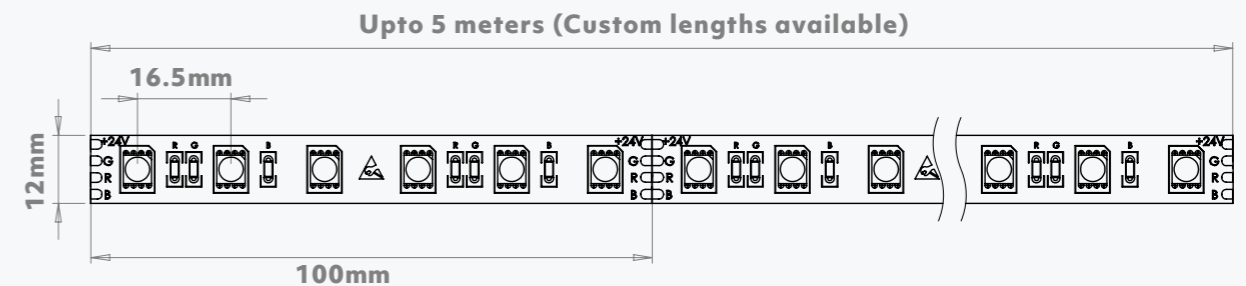
Designed for ease of installation and for peace of mind with high reliability as a must.

Product Code: TF-HP-RGB - [IP]

TECHNICAL SPECIFICATIONS

- Voltage **24V**
- LED's Per Meter **60**
- LED Type **SMD5050**
- Power Consumption **14.4W/M**
- Channels **3Ch (RGB)**
- IP Rating **IP20**
- Cutting Points **100mm**
- Lumen Output **980lm/M [RGB]**
- Operating Temp Range **-20 to 50°C**

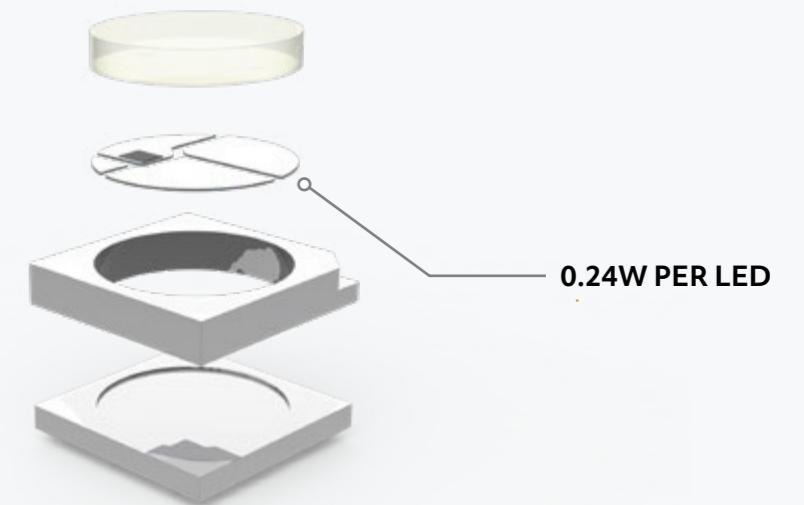
DIMENSIONS



LED TECHNOLOGY

SMD5050 RGB LED

High quality epistar LED chip, with high output and vivid colour rendering.





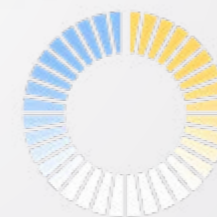
QDS RANGE

Designed to work with 24v RGB and RGBW LED strip: Power up to 300% more linear meters per watt; experience super smooth 16bit dimming; control RGB colour & CCT from 2300-7000k; all from the most intelligent DMX driver range on the market.



RGBW COLOUR

Colour like no other. With pioneering power balance technology, combined with all new 16bit technology and tuneable white control, our new driver is capable of producing an incomprehensible and unrivalled range of colours.



TUNEABLE WHITE

Begin with RGBW-3000k LED and adjust colour temperature from 2300-7000k directly from the driver. This can be set as your desired White in 4 channel mode, or set driver to 5ch mode for R,G,B, Tuneable White control via DMX



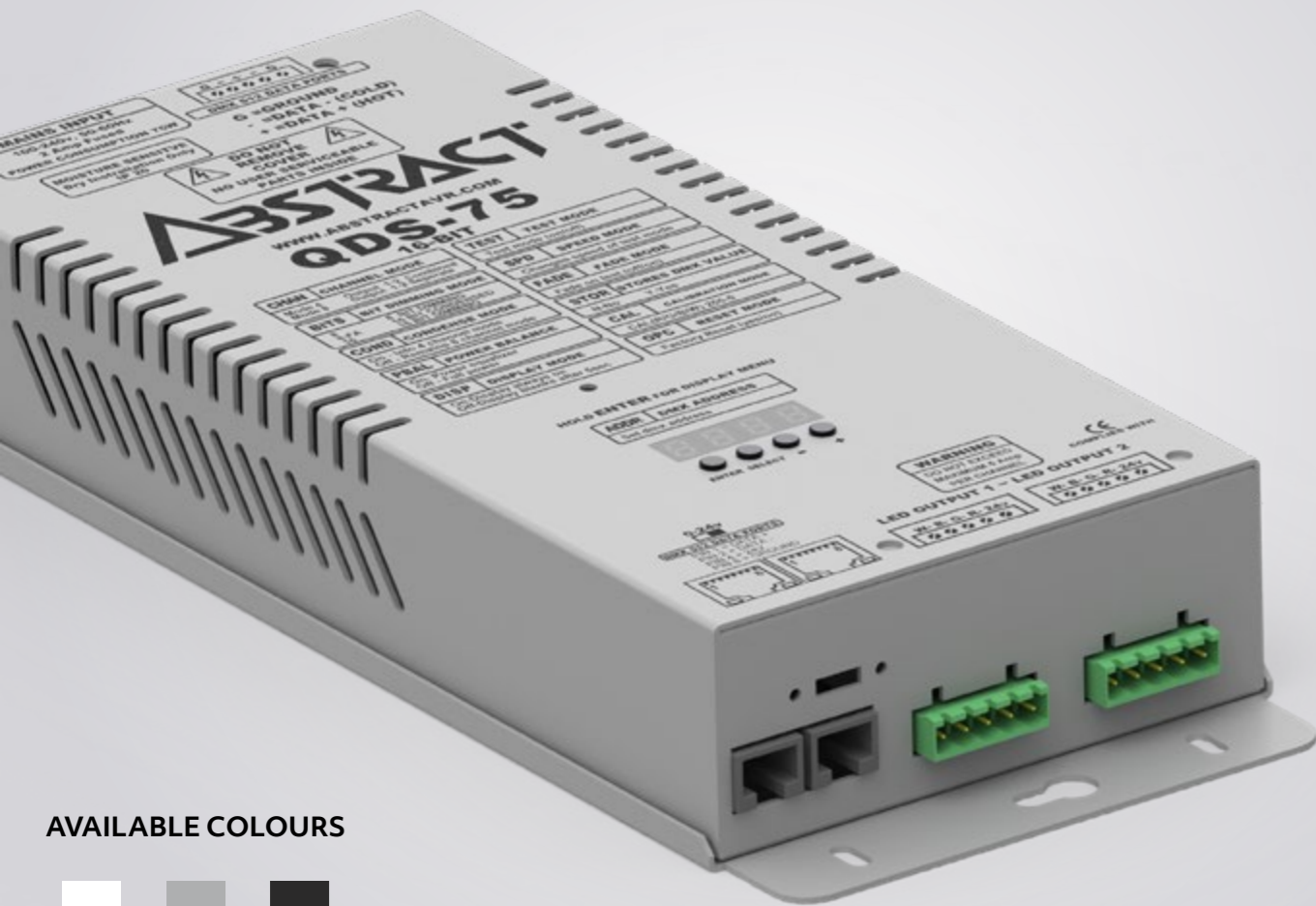
SMOOTH DIMMING

Experience super smooth dimming with 65,000 dimming steps from 0-100% in 16bit mode, or simulate the same dimming performance in 8bit fade mode without the need for a 16bit controller. (Standard 8bit mode available too)



POWER BALANCE MODE

Our unique power balancing technology ensures that all colours are driven equally for even output across primary, secondary and tertiary colours. Resulting in lower energy consumption, with up to 300% more linear meters driven per watt, and increased longevity.



AVAILABLE COLOURS



QUAD DRIVE S 75

CV LED DMX DRIVER

Designed to work with 60 LED per meter RGB/W SMD5050 LED

Ideal for home cinema rooms, kitchens, bars. This driver is perfect for taking care of those small projects where up to 15 meters of colour change LED strip needs powering.

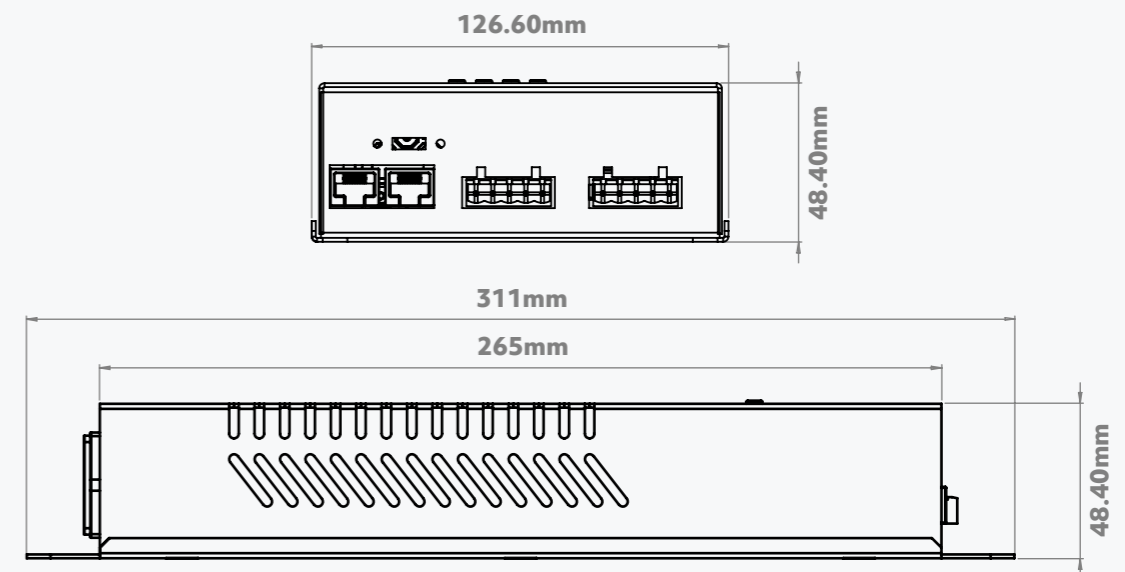
With super smooth 16bit dimming and unrivalled RGB + tuneable white control, welcome to the most advanced DMX driver technology on the market.

Product Code: QDS-75





TECHNICAL SPECIFICATIONS

- Voltage **24V**
- LED Outputs **2**
- Output Current **5A Per Channel**
- Power Consumption **75W**
- Channels **1-8Ch (RGB[W]x2)**
- Power Input Mains **110-240VAC**
- Data Connections **3 Pin XLR / RJ45**
- LED Connection **5 Pin Phoenix Connector**
- Operating Temp Range **-20° to 50°C**

DIMENSIONS



CONNECTIONS

 <p>3 Pin XLR Connect in/out for continuous data if more drivers are required.</p>	 <p>CAT5 RJ45 Alternative DMX Connect in/out for continuous data if more drivers are required.</p>	 <p>Mains IEC 110-240VAC</p>	 <p>5 Pin Phoenix Connector Connect to LED Tape, upto 7.5 Meters per output. (15M Total) PIN 1 = WHITE PIN 2 = BLUE PIN 3 = GREEN PIN 4 = RED PIN 5 = 24V +</p>
------------------------------------------------------------------------------------------------------------------------------------------------------------------------------------	---------------------------------------------------------------------------------------------------------------------------------------------------------------------------------------------------------------	------------------------------------------------------------------------------------------------------------------------------	------------------------------------------------------------------------------------------------------------------------------------------------------------------------------------------------------------------------------------------------------------------------------------------



AVAILABLE COLOURS



QUAD DRIVE S 150

CV LED DMX DRIVER

Designed to work with 60 LED per meter RGB/W SMD5050 LED

With twice the power of its predecessor, start to take on multiple rooms of colour change LED strip from a single driver unit, driving up to 30 meters across up to two controllable zones.

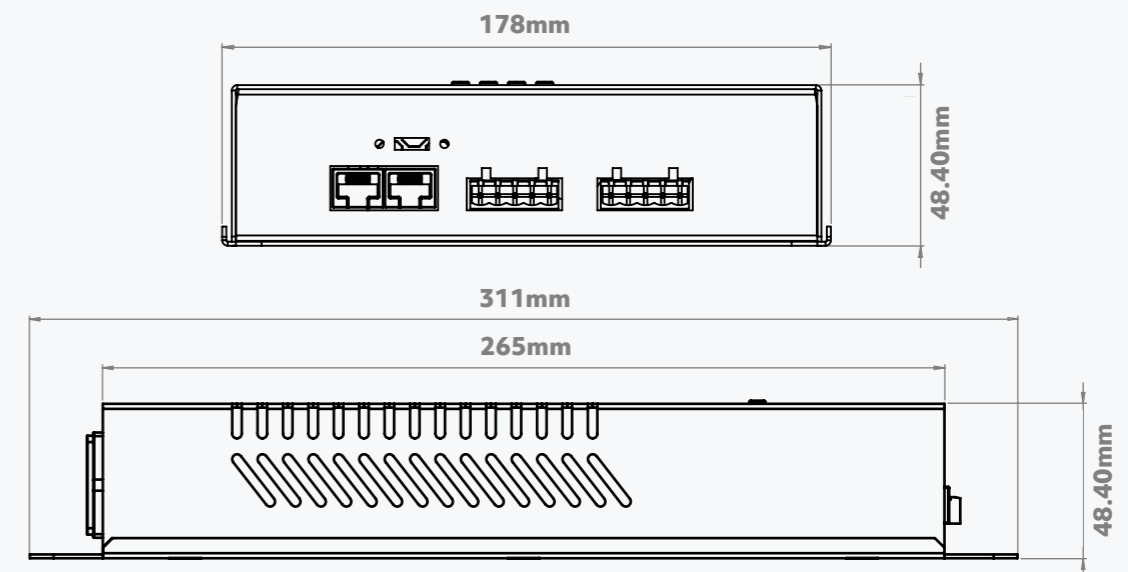
Experience lighting at its best with super smooth 16bit dimming and RGB + tuneable white control, from the most advanced DMX driver technology on the market.

Product Code: QDS-150





TECHNICAL SPECIFICATIONS

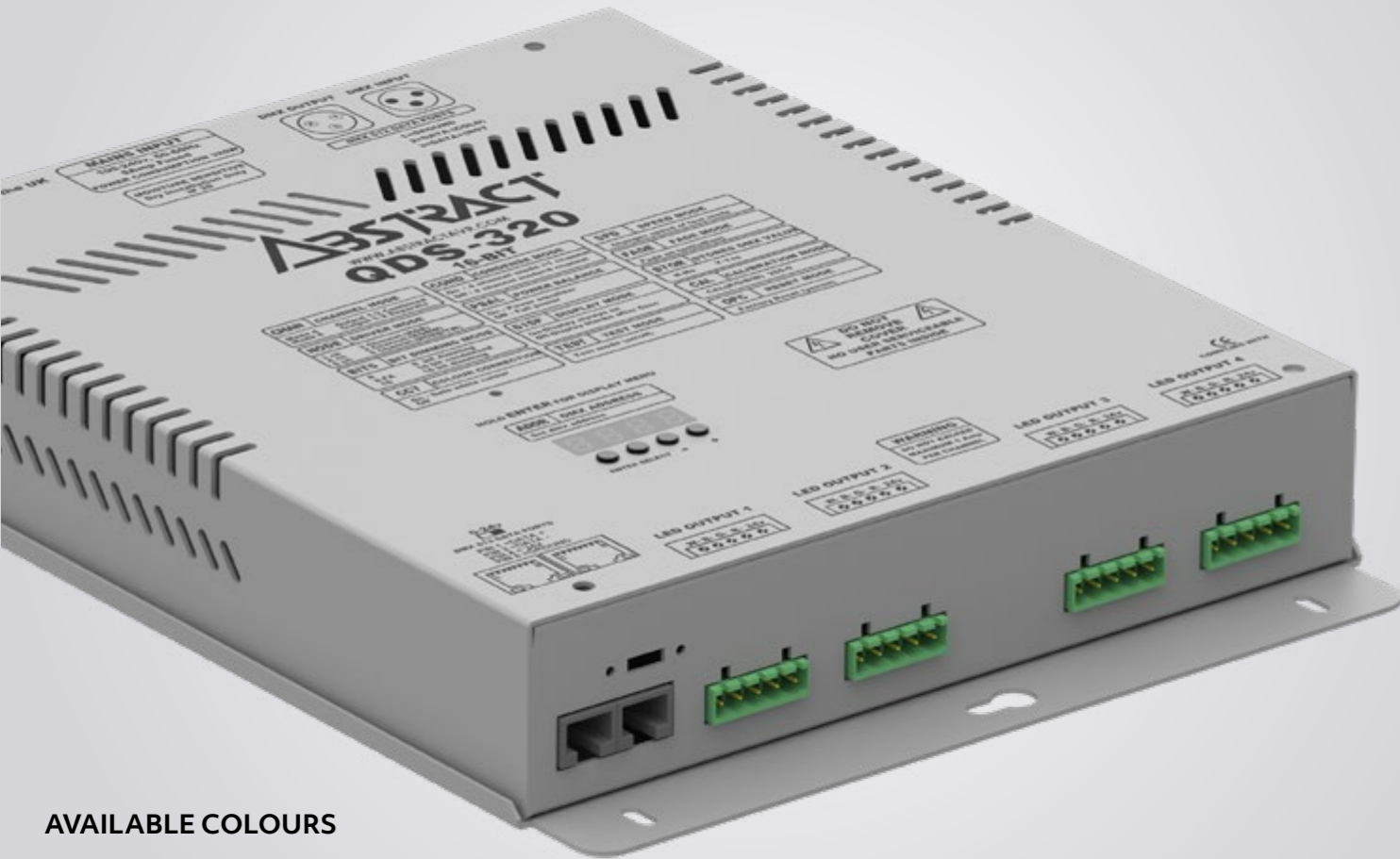
- Voltage **24V**
- LED Outputs **2**
- Output Current **5A**
- Power Consumption **150W**
- Channels **1-8Ch (RGB[W]x2)**
- Power Input Mains **110-240VAC**
- Data Connections **3 Pin XLR / RJ45**
- LED Connection **5 Pin Phoenix Connector**
- Operating Temp Range **-20° to 50°C**

DIMENSIONS



CONNECTIONS

 <p>3 Pin XLR</p> <p>Connect in/out for continuous data if more drivers are required.</p>	 <p>CAT5 RJ45</p> <p>Alternative DMX Connect in/out for continuous data if more drivers are required.</p>	 <p>Mains IEC</p> <p>110-240VAC</p>	 <p>5 Pin Phoenix Connector</p> <p>Connect to LED Tape, upto 15 Meters per output. (30M Total)</p> <p>PIN 1 = WHITE PIN 2 = BLUE PIN 3 = GREEN PIN 4 = RED PIN 5 = 24V +</p>
---------------------------------------------------------------------------------------------------------------------------------------------------------------------------------------	------------------------------------------------------------------------------------------------------------------------------------------------------------------------------------------------------------------	---------------------------------------------------------------------------------------------------------------------------------	------------------------------------------------------------------------------------------------------------------------------------------------------------------------------------------------------------------------------------------------------------------------------------------



AVAILABLE COLOURS



QUAD DRIVE S 320

CV LED DMX DRIVER

Designed to work with 60 LED per meter RGB/W SMD5050 LED

Make medium sized installations simple. With up to four zones of control and up to 60M of colour change LED strip all powered from one intelligent box.

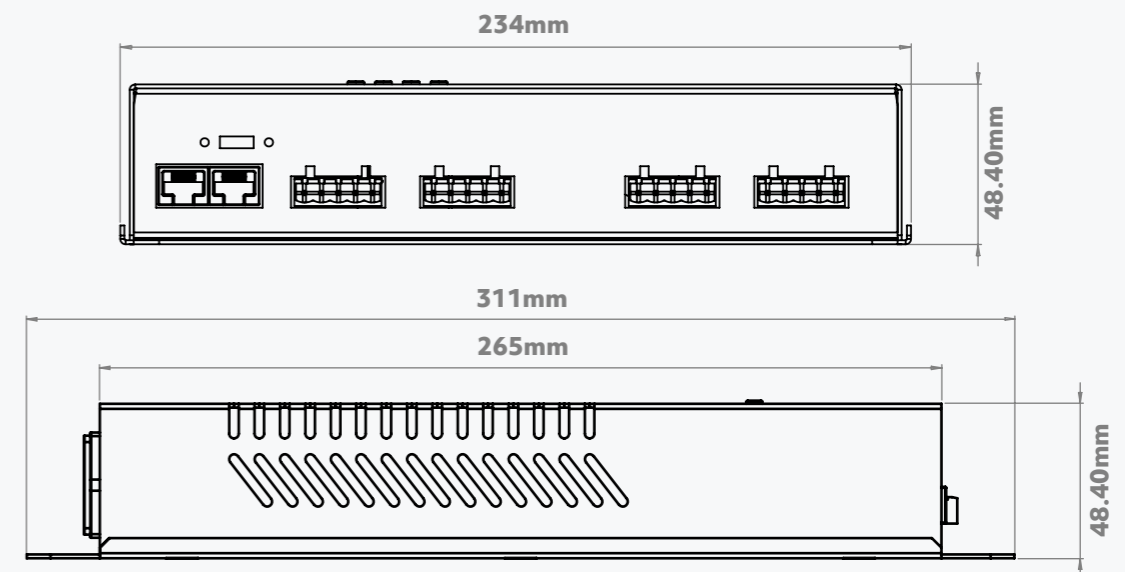
A premium quality product, with super smooth 16bit dimming and unrivalled RGB + tuneable white control, this is the most advanced DMX driver technology on the market.

Product Code: QDS-320





TECHNICAL SPECIFICATIONS

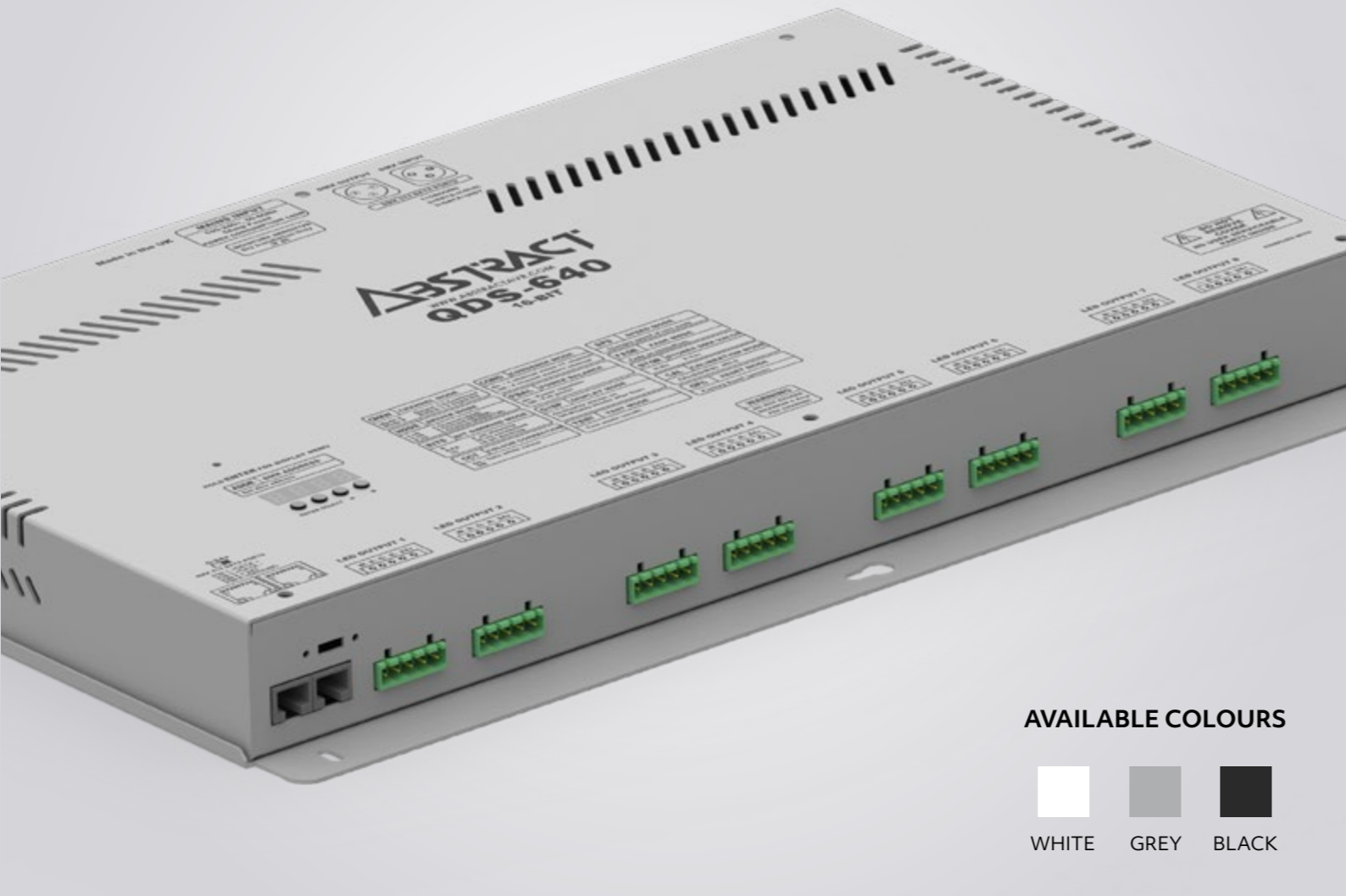
- Voltage **24V**
- LED Outputs **4**
- Output Current **5A**
- Power Consumption **320W**
- Channels **1-16Ch (RGB[W]x4)**
- Power Input Mains **110-240VAC**
- Data Connections **3 Pin XLR / RJ45**
- LED Connection **5 Pin Phoenix Connector**
- Operating Temp Range **-20° to 50°C**

DIMENSIONS

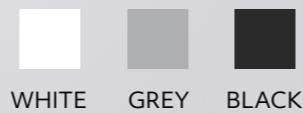


CONNECTIONS

 <p>3 Pin XLR Connect in/out for continuous data if more drivers are required.</p>	 <p>CAT5 RJ45 Alternative DMX Connect in/out for continuous data if more drivers are required.</p>	 <p>Mains IEC 110-240VAC</p>	 <p>5 Pin Phoenix Connector Connect to LED Tape, upto 15 Meters per output. (60M Total) PIN 1 = WHITE PIN 2 = BLUE PIN 3 = GREEN PIN 4 = RED PIN 5 = 24V +</p>
------------------------------------------------------------------------------------------------------------------------------------------------------------------------------------	---------------------------------------------------------------------------------------------------------------------------------------------------------------------------------------------------------------	------------------------------------------------------------------------------------------------------------------------------	-----------------------------------------------------------------------------------------------------------------------------------------------------------------------------------------------------------------------------------------------------------------------------------------



AVAILABLE COLOURS



WHITE GREY BLACK

QUAD DRIVE S 640

CV LED DMX DRIVER

Designed to work with 60 LED per meter RGB/W SMD5050 LED

For those larger installations, power upto eight zones of control and up to 120M of colour change LED strip all taken care of from one powerhouse of quality driving technology.

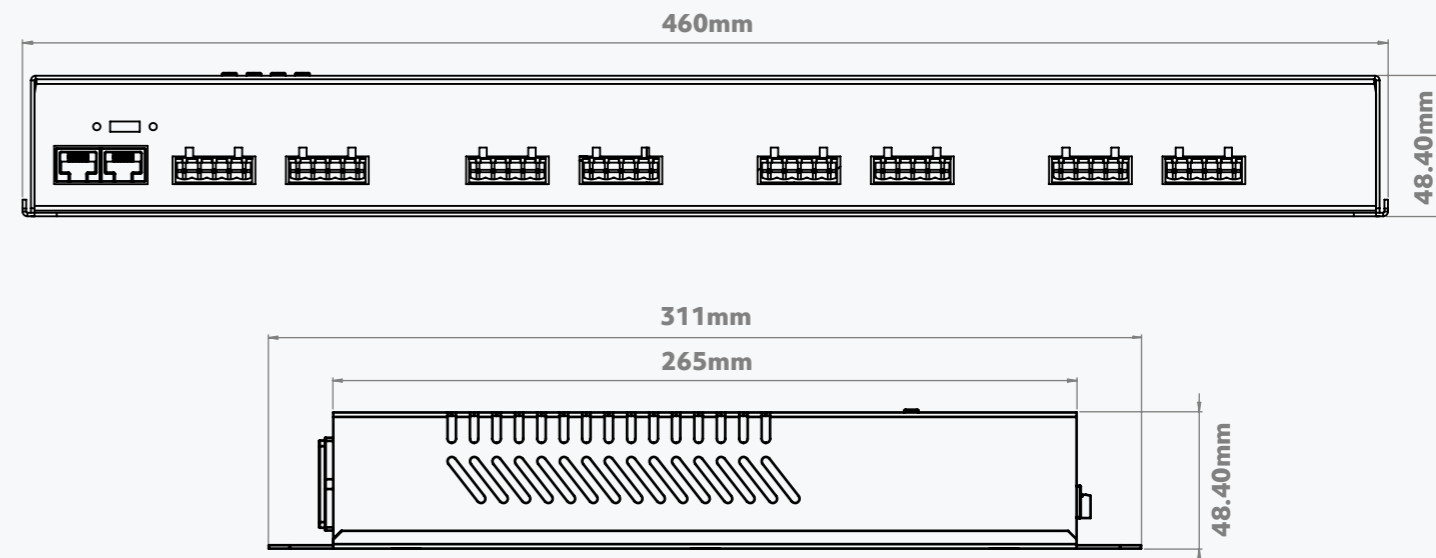
A premium product with super smooth 16bit dimming and unrivalled RGB + tuneable white control, ready to make light work of big projects.

Product Code: QDS-640





TECHNICAL SPECIFICATIONS

- Voltage **24V**
- LED Outputs **8**
- Output Current **5A**
- Power Consumption **640W**
- Channels **1-32Ch (RGB[W]x8)**
- Power Input Mains **110-240VAC**
- Data Connections **3 Pin XLR / RJ45**
- LED Connection **5 Pin Pheonix Connector**
- Operating Temp Range **-20° to 50°C**

DIMENSIONS



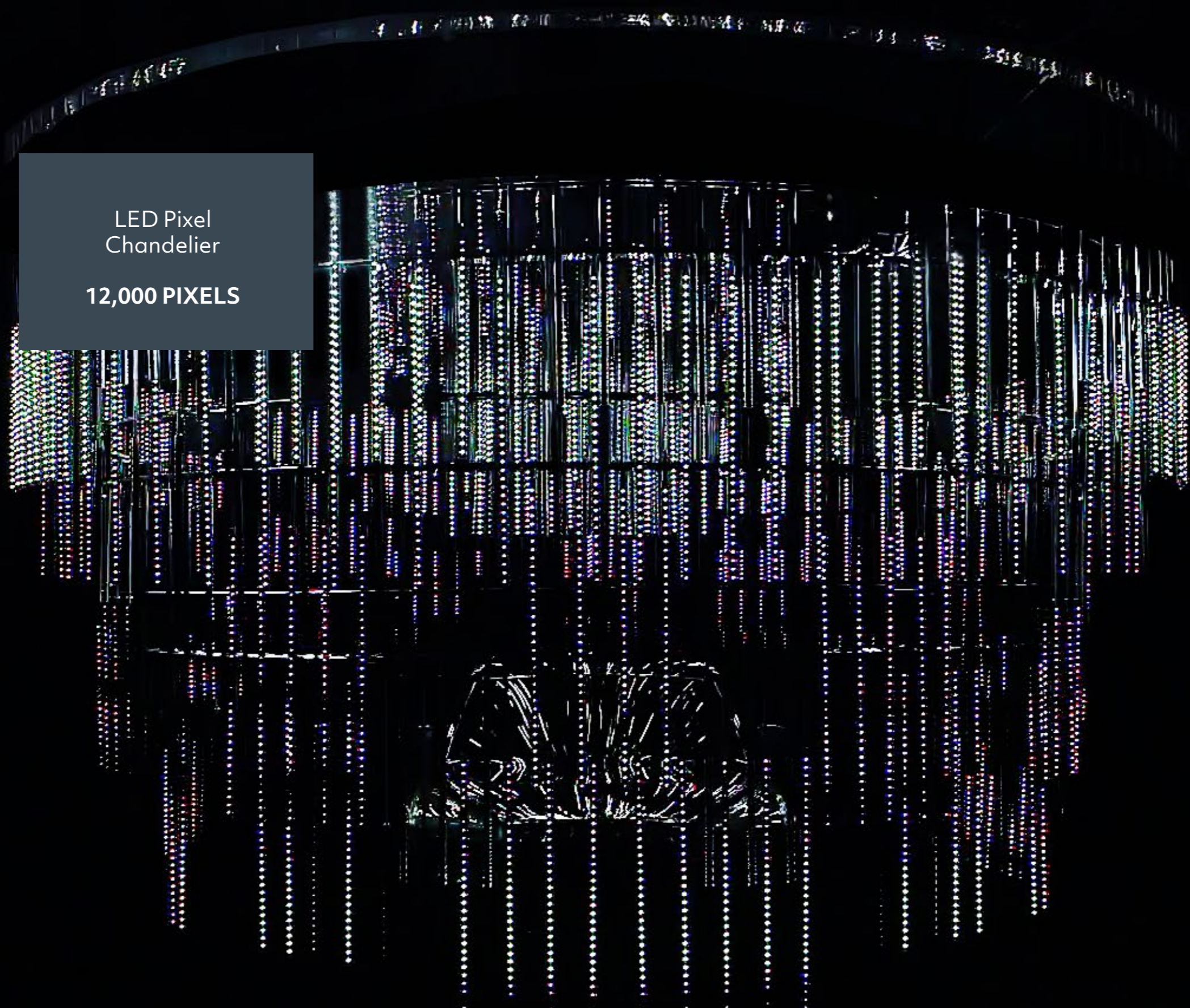
CONNECTIONS

 <p>3 Pin XLR Connect in/out for continuous data if more drivers are required.</p>	 <p>CAT5 RJ45 Alternative DMX Connect in/out for continuous data if more drivers are required.</p>	 <p>Mains IEC 110-240VAC</p>	 <p>5 Pin Pheonix Connector Connect to LED Tape, upto 15 Meters per output. (120M Total) PIN 1 = WHITE PIN 2 = BLUE PIN 3 = GREEN PIN 4 = RED PIN 5 = 24V +</p>
------------------------------------------------------------------------------------------------------------------------------------------------------------------------------------	---------------------------------------------------------------------------------------------------------------------------------------------------------------------------------------------------------------	------------------------------------------------------------------------------------------------------------------------------	------------------------------------------------------------------------------------------------------------------------------------------------------------------------------------------------------------------------------------------------------------------------------------------



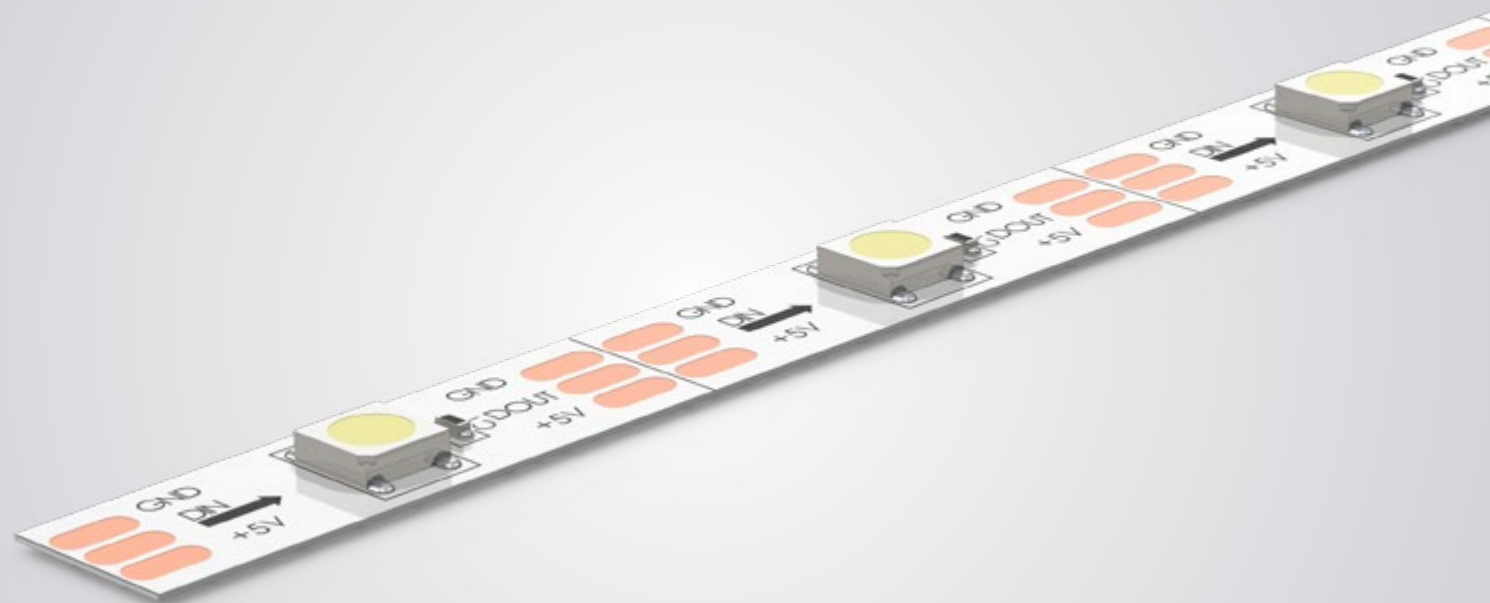
Central Square
LED Pixel
Sculpture
16,000 PIXELS

LED PIXEL CONTROL



LED Pixel
Chandelier
12,000 PIXELS

LED PIXEL CONTROL



AVAILABLE COLOUR MIX



FLEXIBLE PIXEL RGB TAPE 30 LED 5V

PIXEL LED FLEXIBLE STRIP

Cutttable, stickable, reliable... addressable! 30LED/M colour changing flexible pixel LED, enabling you to get creative with vivid colours and individual LED pixel control.

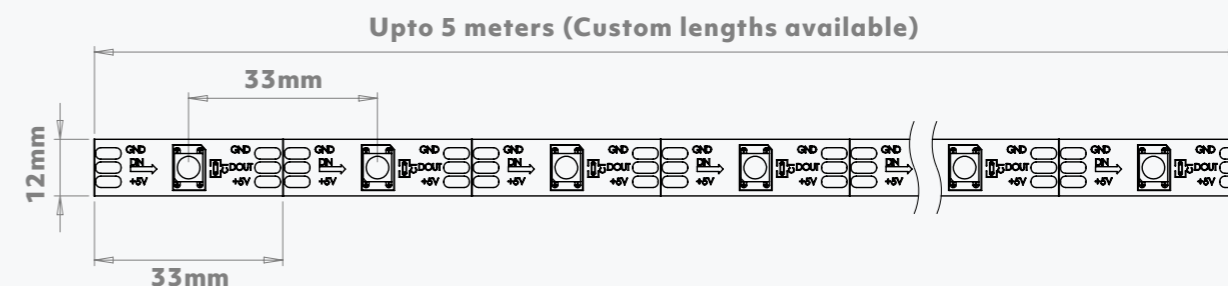
Designed for ease of installation and for peace of mind with high reliability as a must.

Product Code: PF-SP-RGB-5V

TECHNICAL SPECIFICATIONS

Voltage **5V**
 LED's Per Meter **30**
 LED Type **SMD5050**
 Power Consumption **7.2W/M**
 Channels **3Ch Per Pixel [RGB]**
 IP Rating **IP20**
 Cutting Points **33mm**
 Controllable Pixels **1 LED = 1 Pixel**
 Lumen Output **490lm/M [RGB]**
 Operating Temp Range **-20° to 50°C**

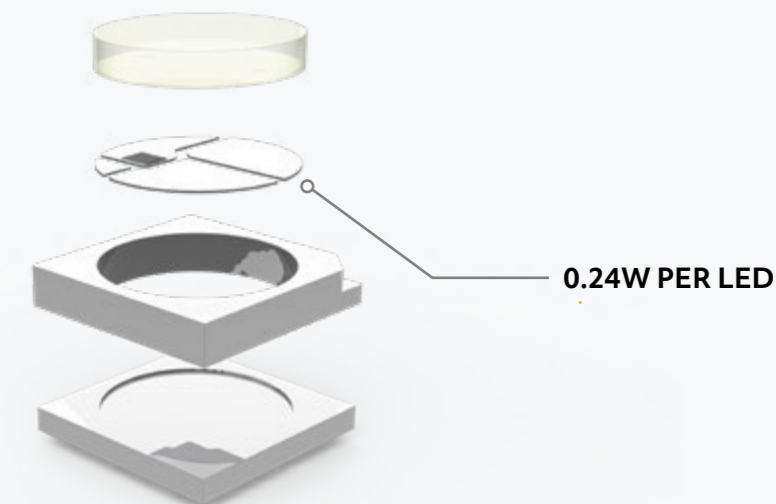
DIMENSIONS

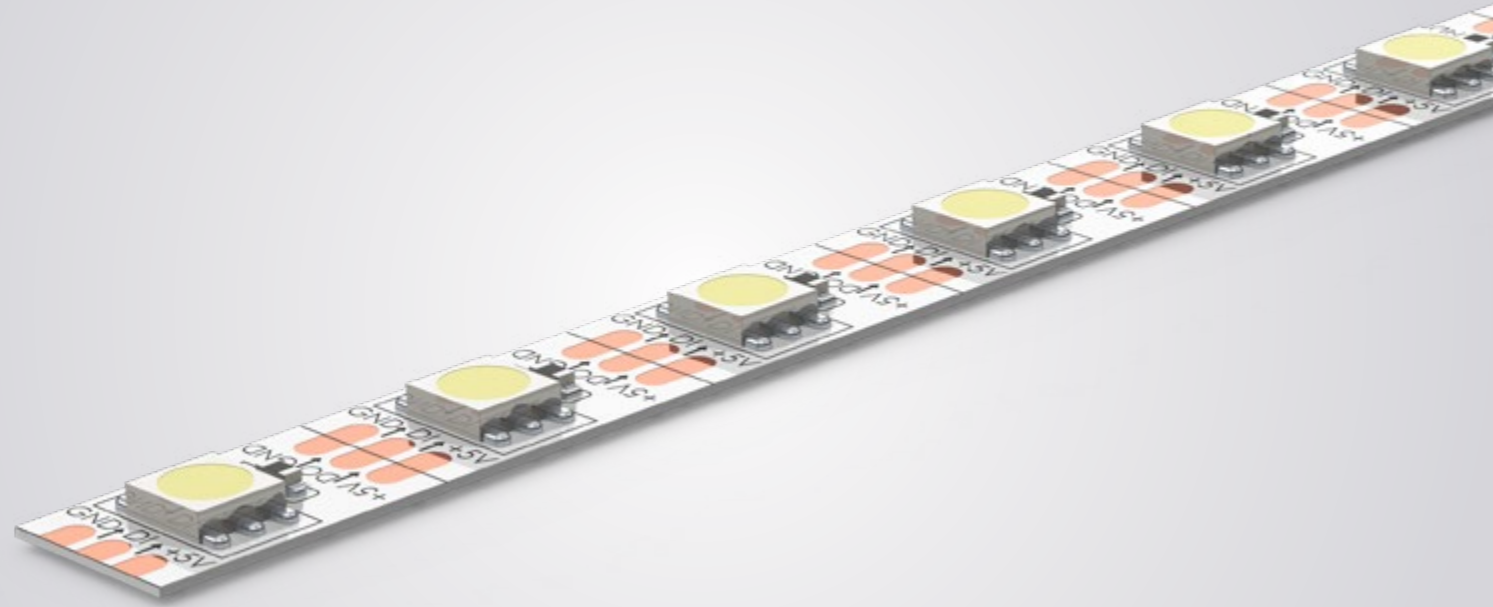


LED TECHNOLOGY

SMD5050 RGB LED

High quality epistar LED chip, with high output and vivid colour rendering, paired with onboard IC processor for pixel addressing.





AVAILABLE COLOUR MIX



FLEXIBLE PIXEL RGB TAPE 60 LED 5V

PIXEL LED FLEXIBLE STRIP

Cuttable, stickable, reliable... addressable! 60LED/M colour changing flexible pixel LED, enabling you to get creative with high output, vivid colours and individual LED pixel control.

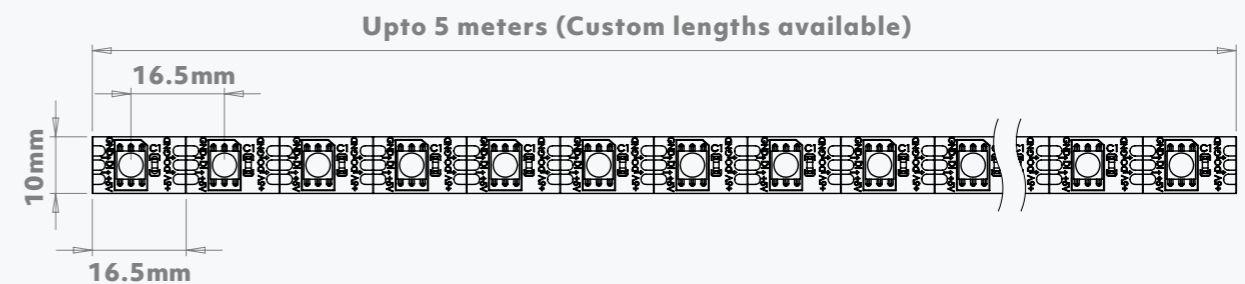
Designed for ease of installation and for peace of mind with high reliability as a must.

Product Code: PF-HP-RGB-5V

TECHNICAL SPECIFICATIONS

Voltage **5V**
 LED's Per Meter **60**
 LED Type **SMD5050**
 Power Consumption **14.4W/M**
 Channels **3Ch Per Pixel [RGB]**
 IP Rating **IP20**
 Cutting Points **16.5mm**
 Controllable Pixels **1 LED = 1 Pixel**
 Lumen Output **980lm/M [RGB]**
 Operating Temp Range **-20° to 50°C**

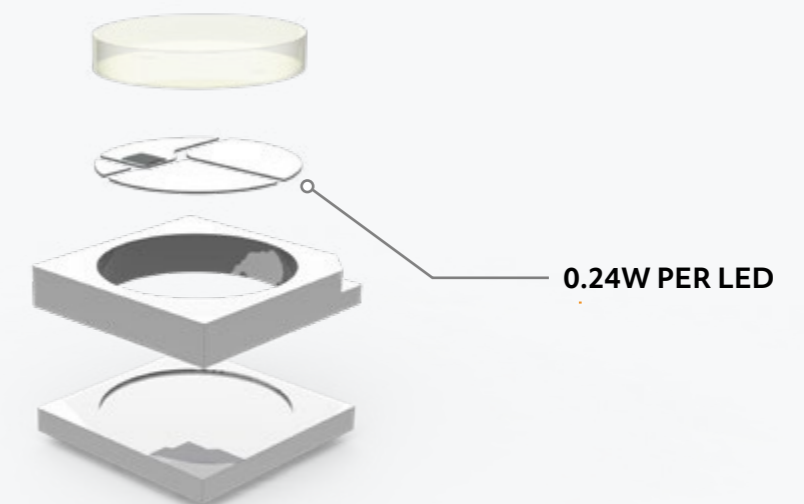
DIMENSIONS

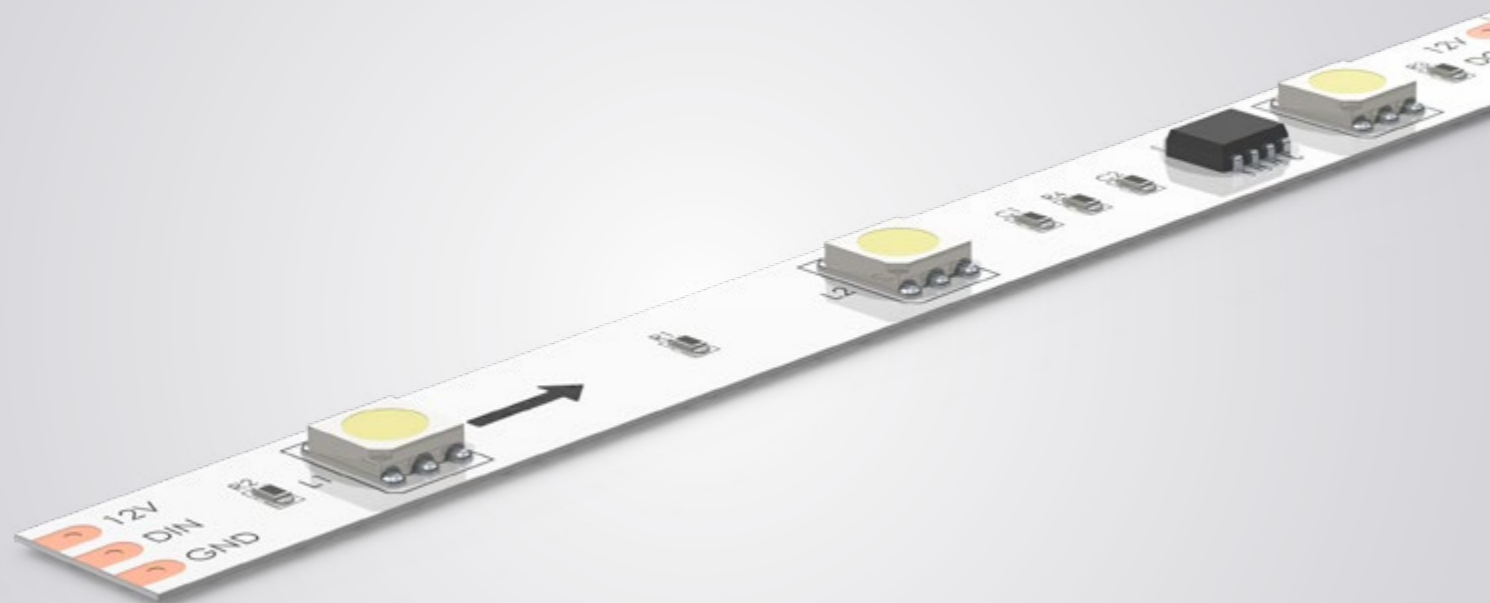


LED TECHNOLOGY

SMD5050 RGB LED

High quality epistar LED chip, with high output and vivid colour rendering, paired with onboard IC processor for pixel addressing.





AVAILABLE COLOUR MIX



FLEXIBLE PIXEL RGB TAPE 30 LED 12V

PIXEL LED FLEXIBLE STRIP

Cuttable, stickable, reliable... addressable! 30LED/M colour changing flexible pixel LED, enabling you to get creative with vivid colours and pixel control over every 3 LEDs.

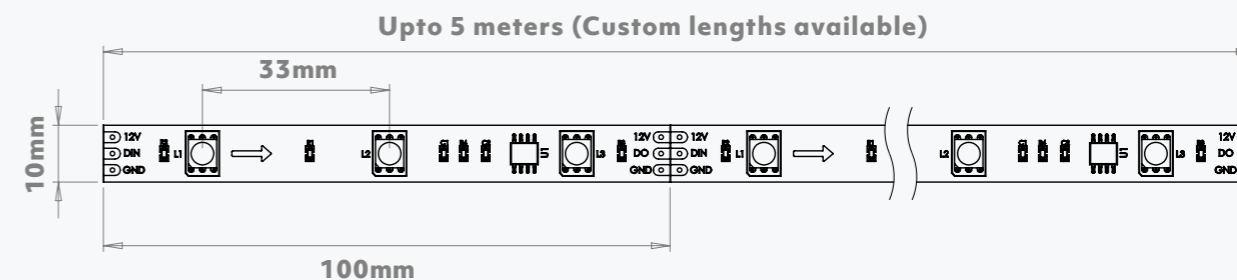
Designed for ease of installation and for peace of mind with high reliability as a must.

Product Code: PF-SP-RGB-12V

TECHNICAL SPECIFICATIONS

Voltage **12V**
 LED's Per Meter **30**
 LED Type **SMD5050**
 Power Consumption **7.2W/M**
 Channels **3Ch Per Pixel [RGB]**
 IP Rating **IP20**
 Cutting Points **100mm**
 Controllable Pixels **3 LED = 1 Pixel**
 Lumen Output **490lm/M [RGB]**
 Operating Temp Range **-20° to 50°C**

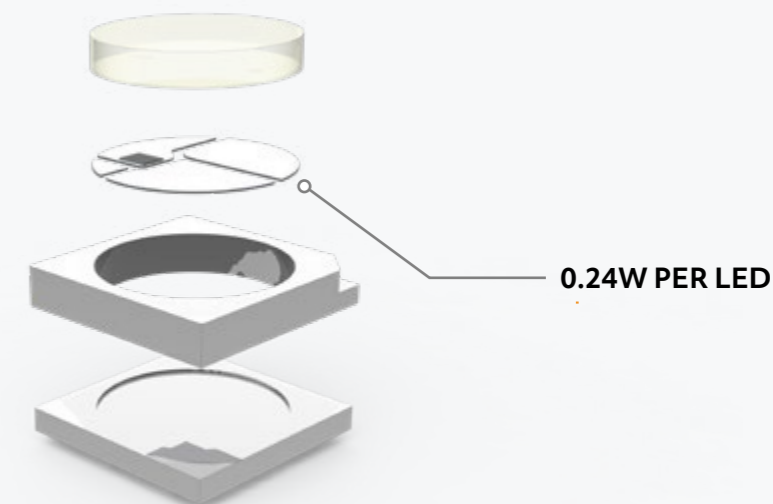
DIMENSIONS

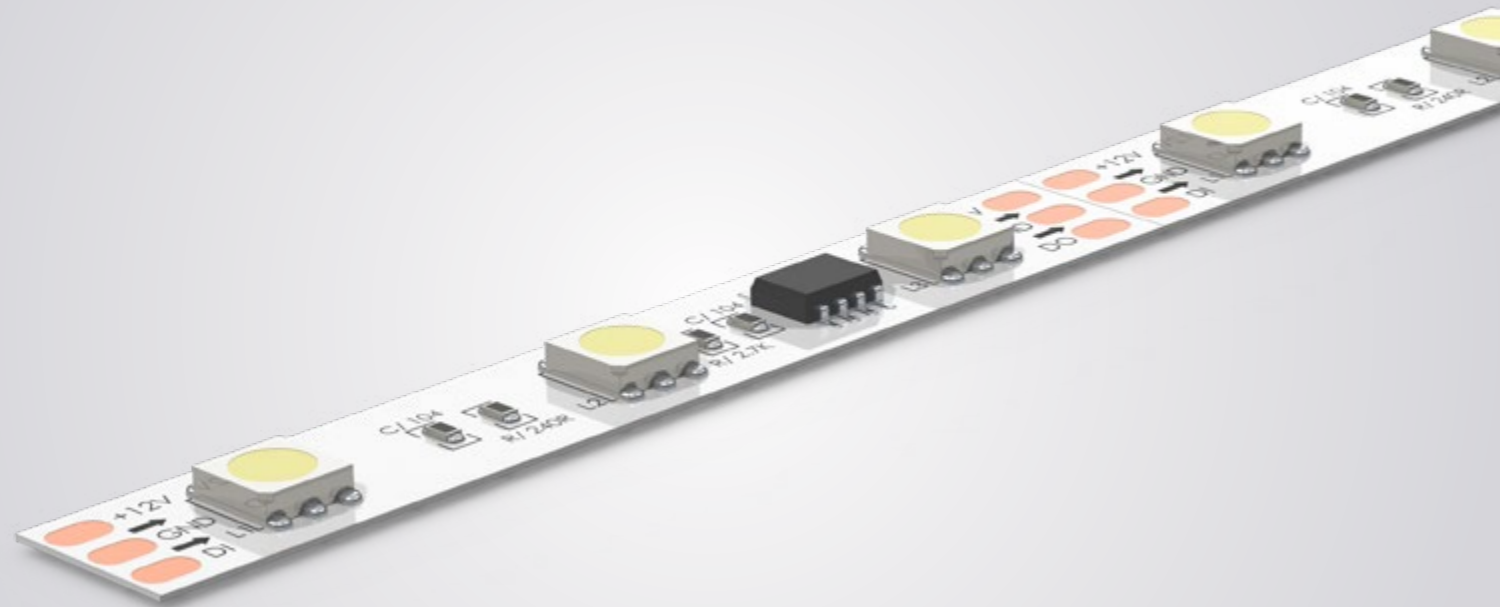


LED TECHNOLOGY

SMD5050 RGB LED

High quality epistar LED chip, with high output and vivid colour rendering, paired with onboard IC processor for pixel addressing.





AVAILABLE COLOUR MIX



FLEXIBLE PIXEL RGB TAPE 48 LED 12V

PIXEL LED FLEXIBLE STRIP

Cuttable, stickable, reliable... addressable! 48LED/M colour changing flexible pixel LED, enabling you to get creative with high output, vivid colours and pixel control over every 3 LEDs.

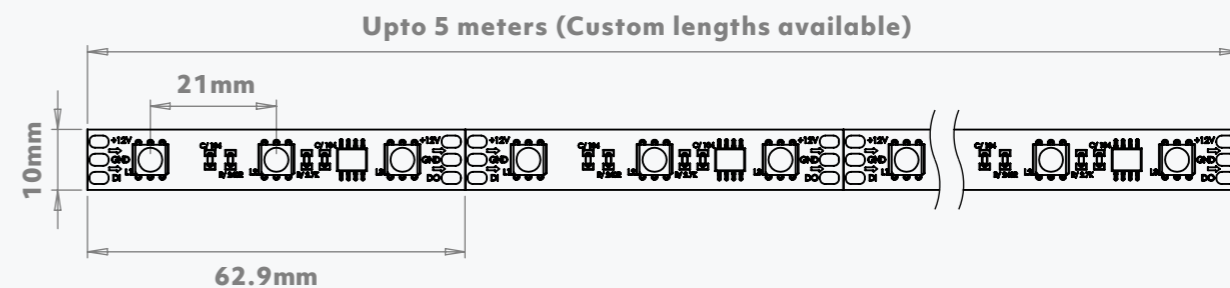
Designed for ease of installation and for peace of mind with high reliability as a must.

Product Code: PF-HP-RGB-12V

TECHNICAL SPECIFICATIONS

- Voltage **12V**
- LED's Per Meter **48**
- LED Type **SMD5050**
- Power Consumption **11.6W/M**
- Channels **3Ch Per Pixel [RGB]**
- IP Rating **IP20**
- Cutting Points **63mm**
- Controllable Pixels **3 LED = 1 Pixel**
- Lumen Output **784lm/M [RGB]**

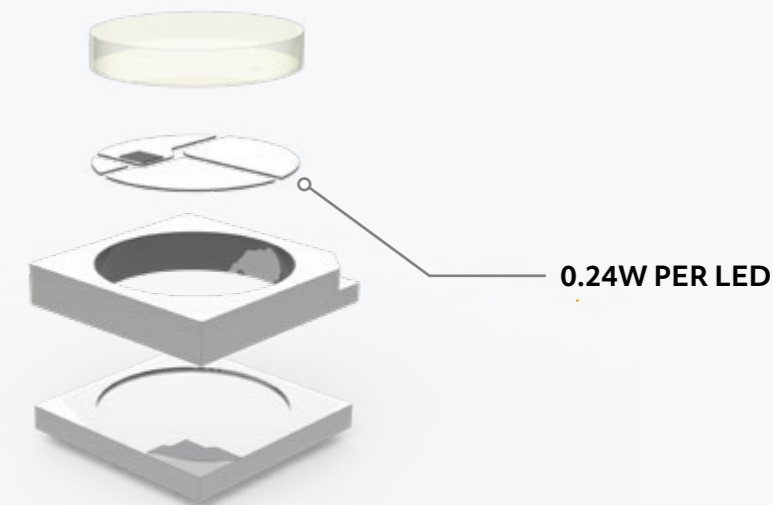
DIMENSIONS



LED TECHNOLOGY

SMD5050 RGB LED

High quality epistar LED chip, with high output and vivid colour rendering, paired with onboard IC processor for pixel addressing.





AVAILABLE COLOURS



WHITE GREY BLACK

PIXEL DRIVER 75

PIXEL LED DMX DRIVER

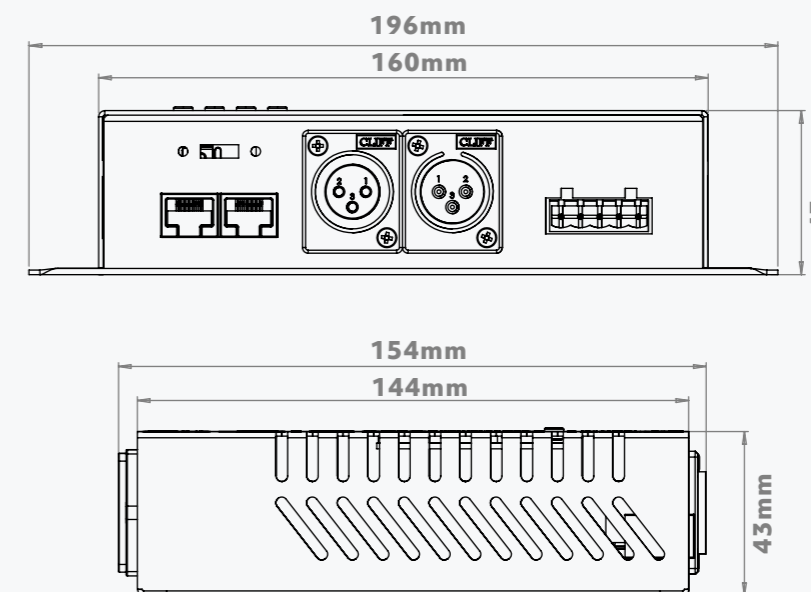
Incredible pixel output with just mains and DMX input, this compact driver makes pixel technology simple. Control up to 170 RGB or 128 RGBW individual pixels, or save your DMX channels by grouping pixels directly from the driver's on board display.

Product Code: PXL-75- 5V / 12V

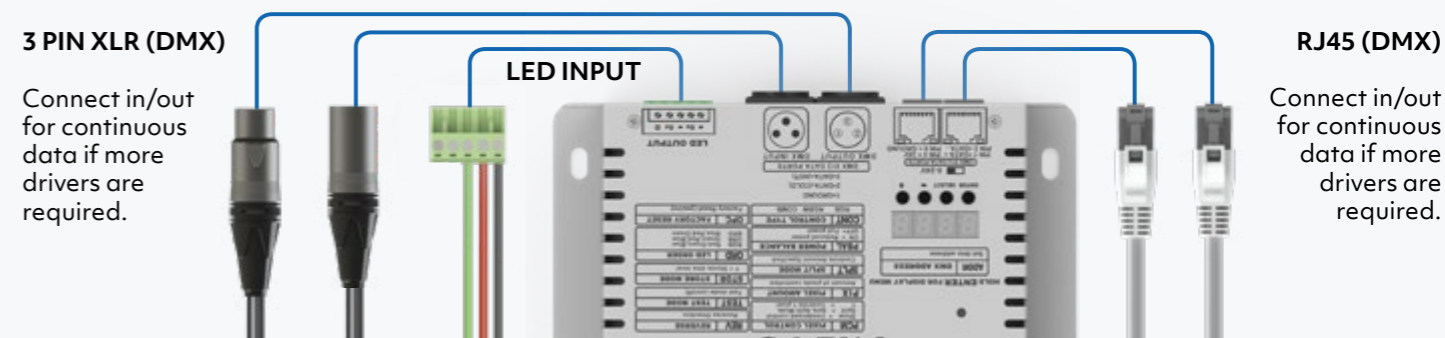
TECHNICAL SPECIFICATIONS

- Voltage **5V / 12V**
- LED Outputs **1**
- Output Current **5A**
- Power Consumption **75W**
- Tape Capability **Run Upto 150 Pixels**
- Power Input Mains **110-240VAC**
- Data Connections **3 Pin XLR / RJ45**
- LED Connection **5 Pin Phoenix Connector**
- Operating Temp Range **-20° to 50°C**

DIMENSIONS

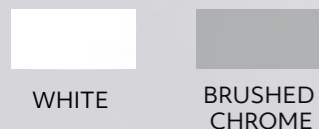


CONNECTIONS





AVAILABLE COLOURS



LEDION ULTRA CONTROLLER 1

DMX CONTROLLER

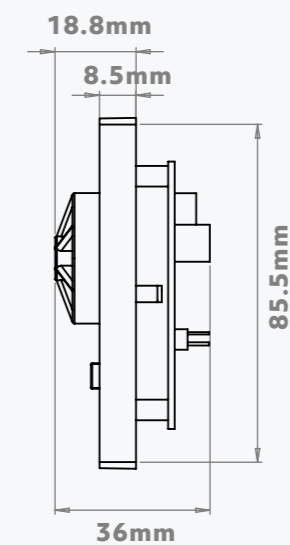
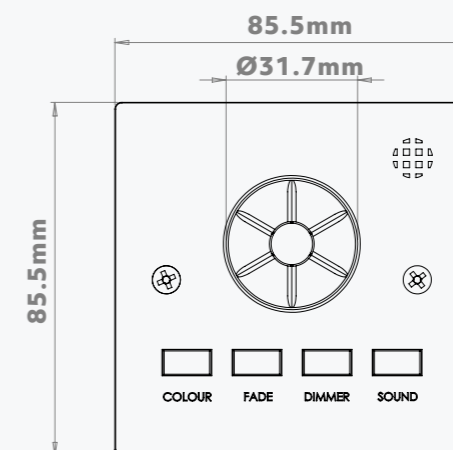
With the ability to select a static colour, select & control speed of colour fade, control brightness, the ledion ultra controller is the most user friendly way of taking control of a single zone of RGBW LED.

Product Code: LUC01

TECHNICAL SPECIFICATIONS

- Voltage **12V-48V**
- DMX Channels **64**
- Material **Polycarbonate / Stainless Steel**
- Controller Buttons **4 Mode , 1 Scroll (ON/OFF)**
- Capability **QDS Range / LUD Range / Any DMX Unit**
- Power Input **DC Power Via Drivers/Powersupplies**
- Mounting **Single Pattress Box**
- Controller Connection **4 Pin Phoenix Connector**

DIMENSIONS



ACCESSORIES





3 PIN - 3 PIN XLR

Available Lengths:
0.5m, 1m, 2m, 3m

3P3P-XLR-ABS



3 PIN FEMALE - 5 PIN MALE XLR

Available Lengths:
0.5m, 1m, 2m, 3m

3PF5PM-XLR-ABS



4 PIN - 4 PIN XLR

Available Lengths:
0.5m, 1m, 2m, 3m

4P4P-XLR-ABS



CAT5 - CAT5

Available Lengths:
0.5m, 1m, 2m, 3m

C5C5-DA-ABS



5 PIN - 5 PIN XLR

Available Lengths:
0.5m, 1m, 2m, 3m

5P5P-XLR-ABS



MAINS CABLE 240V

Available Lengths:
0.5m, 1m, 2m, 3m

MP-240-ABS



3 PIN MALE - 5 PIN FEMALE XLR

Available Lengths:
0.5m, 1m, 2m, 3m

3PM5PF-XLR-ABS



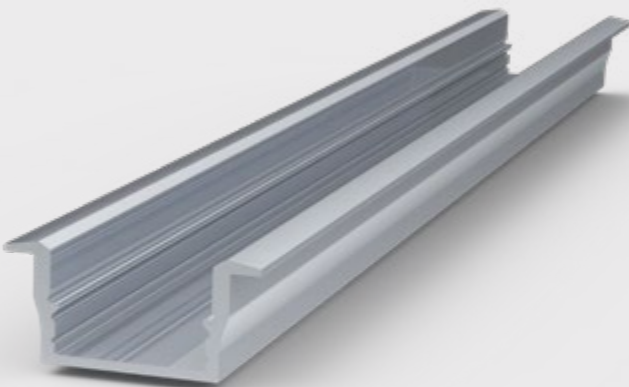
MAINS POWERCON

Available Lengths:
0.5m, 1m, 2m, 3m

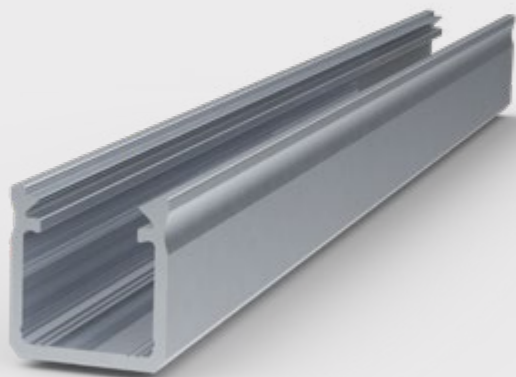
MPC-240-ABS



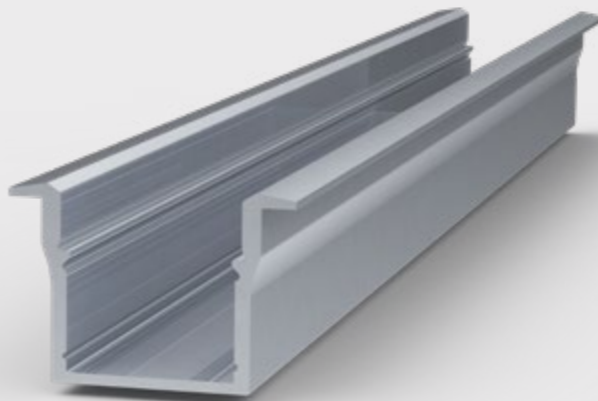
THIN SURFACE
Available Lengths:
1m, 2m
EXT-TS-2M



THIN RECESSED
Available Lengths:
1m, 2m
EXT-TR-2M



DEEP SURFACE
Available Lengths:
1m, 2m
EXT-DS-2M



DEEP RECESSED
Available Lengths:
1m, 2m
EXT-DR-2M



BENDABLE
Available Lengths:
1m, 2m
EXT-B-2M



CORNER
Available Lengths:
1m, 2m
EXT-C-2M

ACCESSORIES - CONNECTORS



T-PIECE CONNECTOR

TPC-LED-ABS



INLINE CONNECTOR

INLC-DA-ABS

ACCESSORIES - PRODUCT ADD-ONS



CS4 GIMBLE

Available Finishes:
White, Chrome, Brushed Steel

G-CS4-ABS



5 PIN - 5 PIN XLR

Available Finishes:
White, Chrome, Brushed Steel

G-CS16-ABS

ACCESSORIES - PROGRAMMING



SHOWMAGIC SOFTWARE

Available Software Versions

SL
SL PLUS
SLX
SLX PLUS
AV
AV PLUS



ENTTEC DMX USB PRO

Connect your computer to
DMX512 lighting networks

EN-DMXUSB-ABS



3 PIN - 5 PIN XLR ADAPTER

5P3PC-DMX-ABS

USEFUL CONTACTS

SALES REPRESENTATIVES:

GRAHAM GUTTERIDGE

graham@abstractavr.com
mobile : +44 (0) 771 152 1738

MARK LARKIN

mark@abstractavr.com
mobile : +44 (0) 777 207 3233



BROCHURE
2018